

Instructions

Tektronix

K420
Bench Cart
070-8845-04

www.tektronix.com


070884504

Copyright © Tektronix. All rights reserved. Licensed software products are owned by Tektronix or its subsidiaries or suppliers, and are protected by national copyright laws and international treaty provisions.

Tektronix products are covered by U.S. and foreign patents, issued and pending. Information in this publication supercedes that in all previously published material. Specifications and price change privileges reserved.

TEKTRONIX and TEK are registered trademarks of Tektronix, Inc.

Contacting Tektronix

Tektronix, Inc.
14200 SW Karl Braun Drive
P.O. Box 500
Beaverton, OR 97077
USA

For product information, sales, service, and technical support:

- In North America, call 1-800-833-9200.
- Worldwide, visit www.tektronix.com to find contacts in your area.

WARRANTY

Tektronix warrants that the products that it manufactures and sells will be free from defects in materials and workmanship for a period of one (1) year from the date of shipment. If a product proves defective during this warranty period, Tektronix, at its option, either will repair the defective product without charge for parts and labor, or will provide a replacement in exchange for the defective product.

In order to obtain service under this warranty, Customer must notify Tektronix of the defect before the expiration of the warranty period and make suitable arrangements for the performance of service. Customer shall be responsible for packaging and shipping the defective product to the service center designated by Tektronix, with shipping charges prepaid. Tektronix shall pay for the return of the product to Customer if the shipment is to a location within the country in which the Tektronix service center is located. Customer shall be responsible for paying all shipping charges, duties, taxes, and any other charges for products returned to any other locations.

This warranty shall not apply to any defect, failure or damage caused by improper use or improper or inadequate maintenance and care. Tektronix shall not be obligated to furnish service under this warranty a) to repair damage resulting from attempts by personnel other than Tektronix representatives to install, repair or service the product; b) to repair damage resulting from improper use or connection to incompatible equipment; c) to repair any damage or malfunction caused by the use of non-Tektronix supplies; or d) to service a product that has been modified or integrated with other products when the effect of such modification or integration increases the time or difficulty of servicing the product.

THIS WARRANTY IS GIVEN BY TEKTRONIX IN LIEU OF ANY OTHER WARRANTIES, EXPRESS OR IMPLIED. TEKTRONIX AND ITS VENDORS DISCLAIM ANY IMPLIED WARRANTIES OF MERCHANTABILITY OR FITNESS FOR A PARTICULAR PURPOSE. TEKTRONIX RESPONSIBILITY TO REPAIR OR REPLACE DEFECTIVE PRODUCTS IS THE SOLE AND EXCLUSIVE REMEDY PROVIDED TO THE CUSTOMER FOR BREACH OF THIS WARRANTY. TEKTRONIX AND ITS VENDORS WILL NOT BE LIABLE FOR ANY INDIRECT, SPECIAL, INCIDENTAL, OR CONSEQUENTIAL DAMAGES IRRESPECTIVE OF WHETHER TEKTRONIX OR THE VENDOR HAS ADVANCE NOTICE OF THE POSSIBILITY OF SUCH DAMAGES.

Table of Contents

General Safety Summary	ii
Contacting Tektronix	iii
Introduction	1
Tools	1
Parts Identification	1
Base Assembly	5
Drawer Shelf and Drawer	11
Tilt Shelf	15
Leg Caps	20
Nylon Straps	21
Customization	22
Replaceable Parts	23
Specifications	24
日本語インストラクション	25

List of Figures

Figure 1: Identification of Small Parts	2
Figure 2: The K420 Bench Cart	4
Figure 3: Preparing the Strut for Base Assembly	6
Figure 4: Building Leg Assemblies	7
Figure 4a: Aligning the Leg Assemblies and the Strut	8
Figure 5: Installing the Casters	9
Figure 6: Preparing the Drawer Shelf	11
Figure 7: Aligning the Drawer Shelf	12
Figure 8: Installing the Drawer	13
Figure 9: Installing the Press-Stud Retainers	14
Figure 10: Preparing the Long Rails	15
Figure 11: Long Rail Alignment Marks on the Leg Assemblies	16
Figure 12: Preparing the Tilt Shelf with Handle	17
Figure 13: Aligning the Tilt Shelf with Handle	17
Figure 14: Installation of Tilt Shelf Knobs	18
Figure 15: Installing the Leg Caps	20
Figure 16: Installing the Nylon Straps with Buckles	21

General Safety Summary

Observe these safety precautions when using the K420 Bench Cart.

Keep the K420 Level

Keep the K420 level at all times, especially when it is loaded with instruments. The cart is designed to be very stable, but it can fall over if tilted to extremes. Observe this precaution especially in these cases:

- When rolling the cart across uneven floors.
- When rolling the cart through doorways with uneven thresholds.
- When lifting the cart wheels over cables.
- When rolling the cart up or down ramps.

Do Not Overload Shelves

Do not put more weight on any cart shelf than is listed in the specifications. Load the top of the cart evenly.

Observe Electrical Safety

All parts of the cart must be treated as electrical conductors, even if they appear to be nonconducting. Do not rely on the casters to provide insulation between the cart and the surface it stands on. Conversely, do not rely on the casters to provide a conductive ground path for the cart.

Test the Stability of Custom Configurations

Changes in shelf location and loading can affect the balance of the cart. If you arrange the shelves differently from the configuration described in this manual, test the cart carefully for stability before using it.

Preface

Contacting Tektronix

Phone	1-800-833-9200*
Address	Tektronix, Inc. Department or name (if known) 14200 SW Karl Braun Drive P.O. Box 500 Beaverton, OR 97077 USA
Web site	www.tektronix.com
Sales support	1-800-833-9200, select option 1*
Service support	1-800-833-9200, select option 2*
Technical support	Email: techsupport@tektronix.com 1-800-833-9200, select option 3* 6:00 a.m. - 5:00 p.m. Pacific time

* **This phone number is toll free in North America. After office hours, please leave a voice mail message. Outside North America, contact a Tektronix sales office or distributor; see the Tektronix web site for a list of offices.**

Introduction

The Tektronix K420 Bench Cart requires some assembly. This manual tells how to assemble and use the cart.

You can assemble the K420 Bench Cart by yourself, but it is easier if you have another person to help you.

You will need a large flat area to assemble the cart. The area should be level and large enough to move the various parts into place. A carpeted floor space is ideal.

Tools

You will need a 3/4 inch (19 mm) open-end wrench, or an adjustable wrench that can be adjusted to that size.

Other tools are included with the K420 Bench Cart. These include a 5/32 inch Allen wrench, a 3/16 Allen wrench, a 1/8 inch Allen wrench, and a circular bubble level.

Parts Identification

The large pieces of the K420 Bench Cart are packed separately in the shipping carton. A bag of small parts is packed in a box with these instructions. The included tools are also packed in this bag. Figure 1 on page 2 shows the small parts you will be using.

Table 1 on page 3 lists all the parts needed to assemble the cart, including the large pieces and assemblies. Take an inventory now to familiarize yourself with the parts for the assembly process.

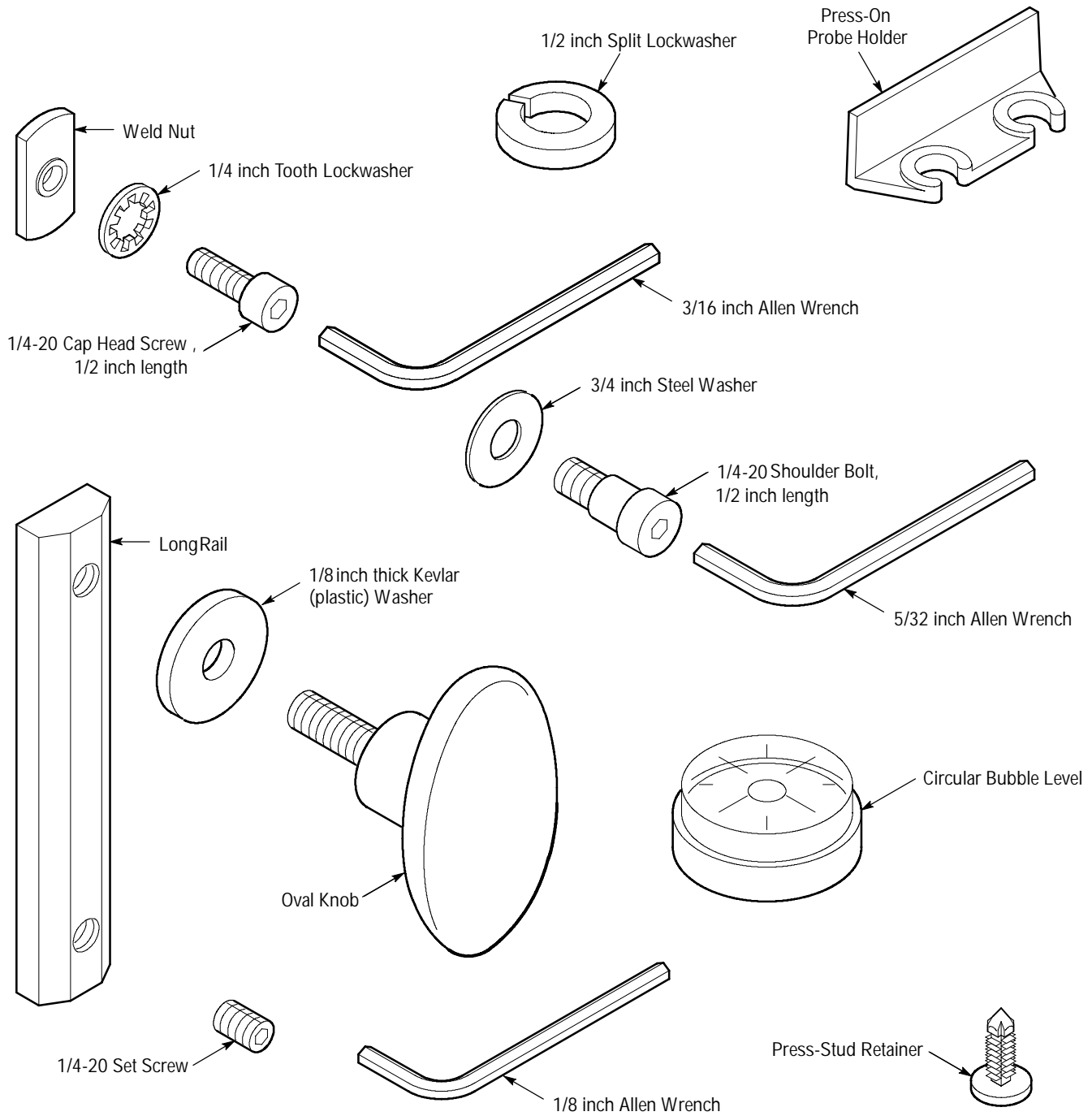


Figure 1: Identification of Small Parts

Table 1: Parts List

Quantity	Description
Large Parts	
2	Locking Casters
2	Non-Locking Casters
1	Tilt Shelf with handle
1	Drawer Shelf
1	Drawer
1	Strut
2	Leg assemblies
2	Leg Caps
2	Nylon Straps with buckles
Small Parts in Bag	
4	1/2 inch Split Lockwashers
8	1/4-20 Cap Head Screws, 1/2 inch length
2	1/4-20 Shoulder Bolts, 1/2 inch length
2	Oval Knobs
6	1/8 inch thick Kevlar (plastic) Washers
2	3/4 inch Steel Washers
8	1/4 inch Tooth Lockwashers
10	Weld Nuts
2	Long Rails
2	1/4-20 Set Screws
2	Press-Stud Retainers
1	Press-On Probe Holder
Small Tools in Bag	
1	3/16 inch Allen Wrench
1	5/32 inch Allen Wrench
1	1/8 inch Allen Wrench
1	Circular Bubble Level

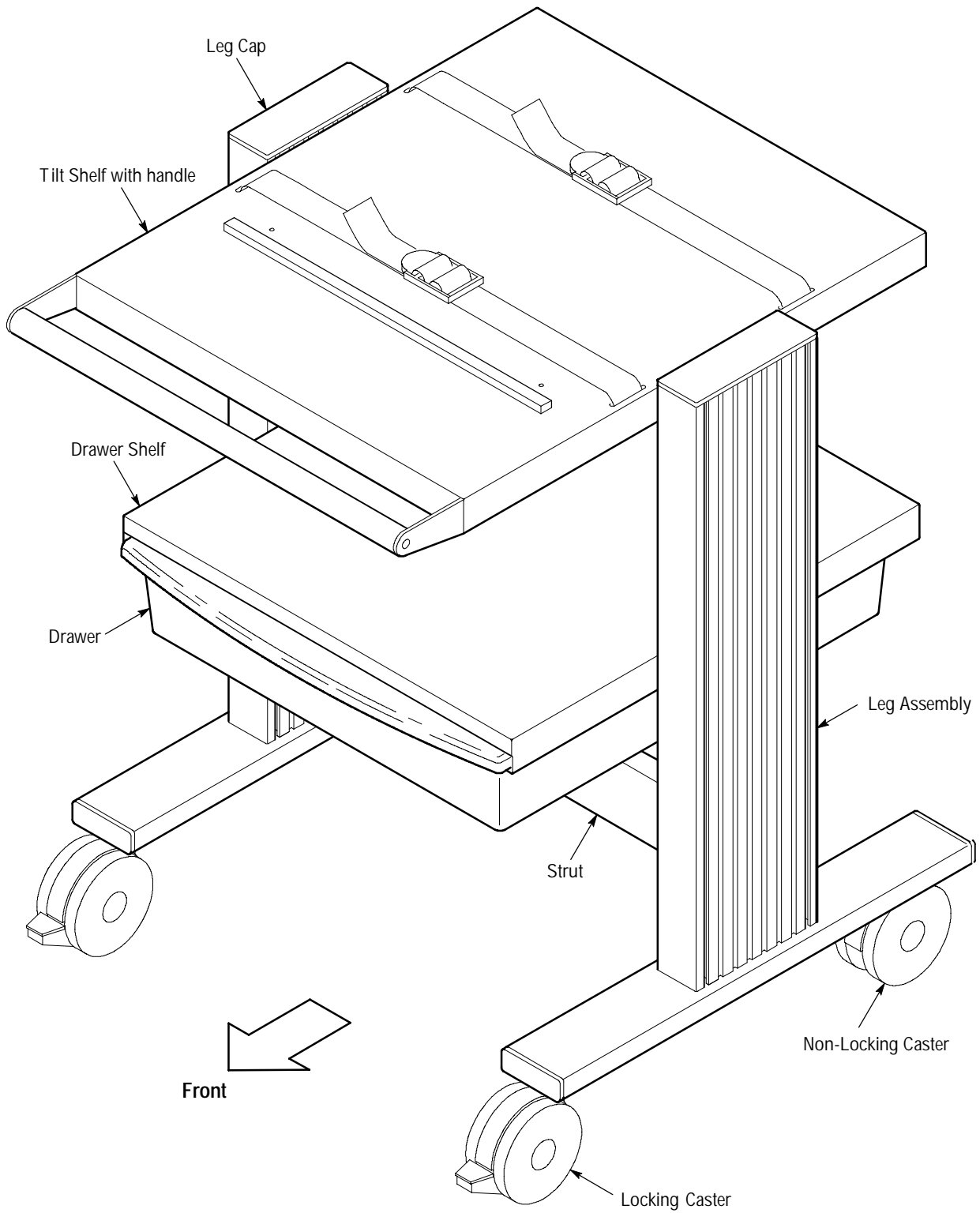


Figure 2: The K420 Bench Cart

Base Assembly

Begin assembling the cart by joining the leg assemblies using the strut, and then putting on the casters. You will use these parts:

- 2 Locking Casters
- 2 Non-Locking Casters
- 2 Extrusions
- 2 Legs
- 4 Bumpons
- 4 1/4-20 x 2 inch Screws
- 4 1 inch Fender Washers
- 1 3/16 Hex Key
- 4 1 x 3 inch End Caps
- 1 Strut
- 4 1/2 inch Split Lockwashers
- 4 1/4 20 Cap Head Screws, 1/2 inch length
- 4 1/4 inch Tooth Lockwashers
- 4 Weld Nuts

You will use a 3/4 inch (19 mm) wrench or adjustable wrench, and the 3/16 inch Allen wrench included with your cart.

1. Prepare the strut as shown in Figure 3. Position the weld nut with the raised threaded flange toward the strut. Leave each screw assembly loose; do not screw the weld nut onto the cap head screw more than one full turn.

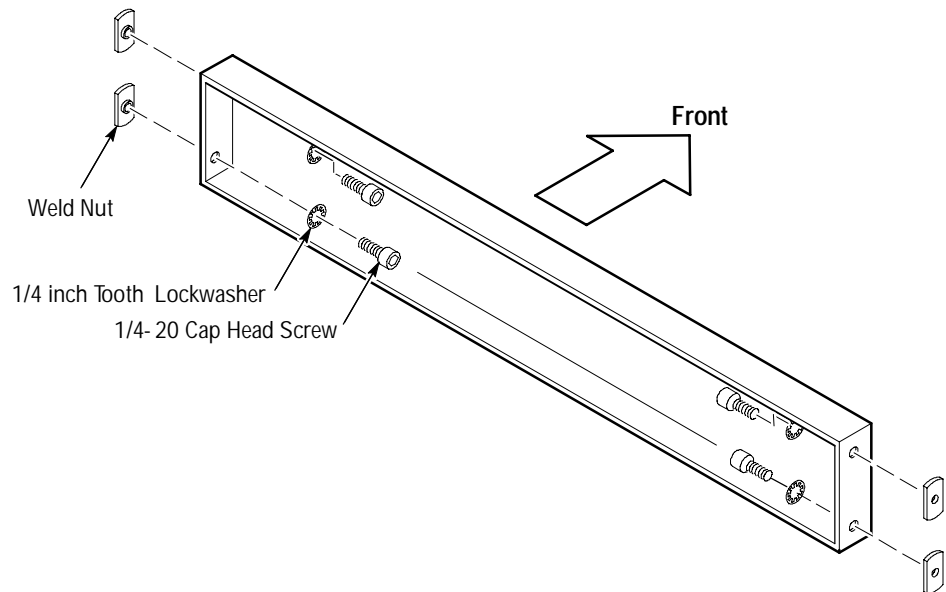


Figure 3: Preparing the Strut for Base Assembly

2. On each leg assembly, observe that there is a small, clear, plastic button (bumpon) on the horizontal leg bar. This button is on the inside of the cart, at the back. Position the leg assemblies as shown in Figure 4. Leave a space between the leg assemblies about equal to the length of the strut.

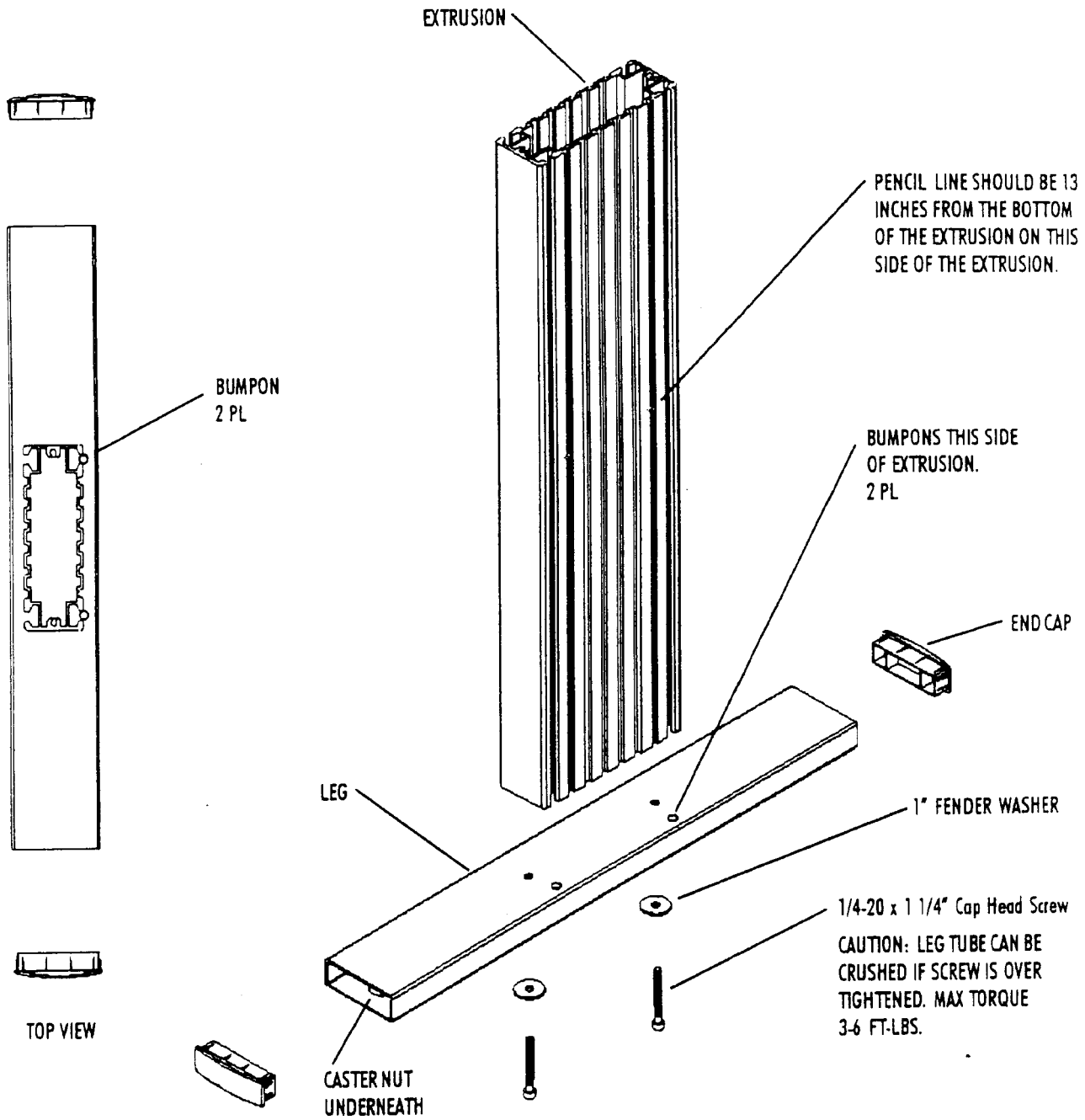


Figure 4: Building Leg Assemblies

3. Orient extrusion so the end with threaded holes is on the bottom. If shelf position pencil marks are present on one of the slotted sides of the extrusion, there should be one mark 13 inches from this end. You will build two leg assemblies.

4. Place long screw through washer and insert through bottom of leg tube (side with large caster nuts) and into the extrusion. Screw will extend through top of leg tube to receive threaded ends of extrusion. Hand tighten with hex key.



CAUTION. Leg tube can be crushed if screw is over tightened.

Max torque is 3-6 ft-lbs. Repeat for second assembly.

5. Apply two bumpons to the top of each leg as shown in the illustration. They go on the side of the extrusion with pencil marks for each assembly.
6. Install end caps into end of each leg. Don't install end caps into extrusions.
7. Position the strut horizontally between the leg assemblies, as shown in Figure 4a, with the open side of the strut to the back. Line up the weld nuts with the back groove in the leg assemblies.

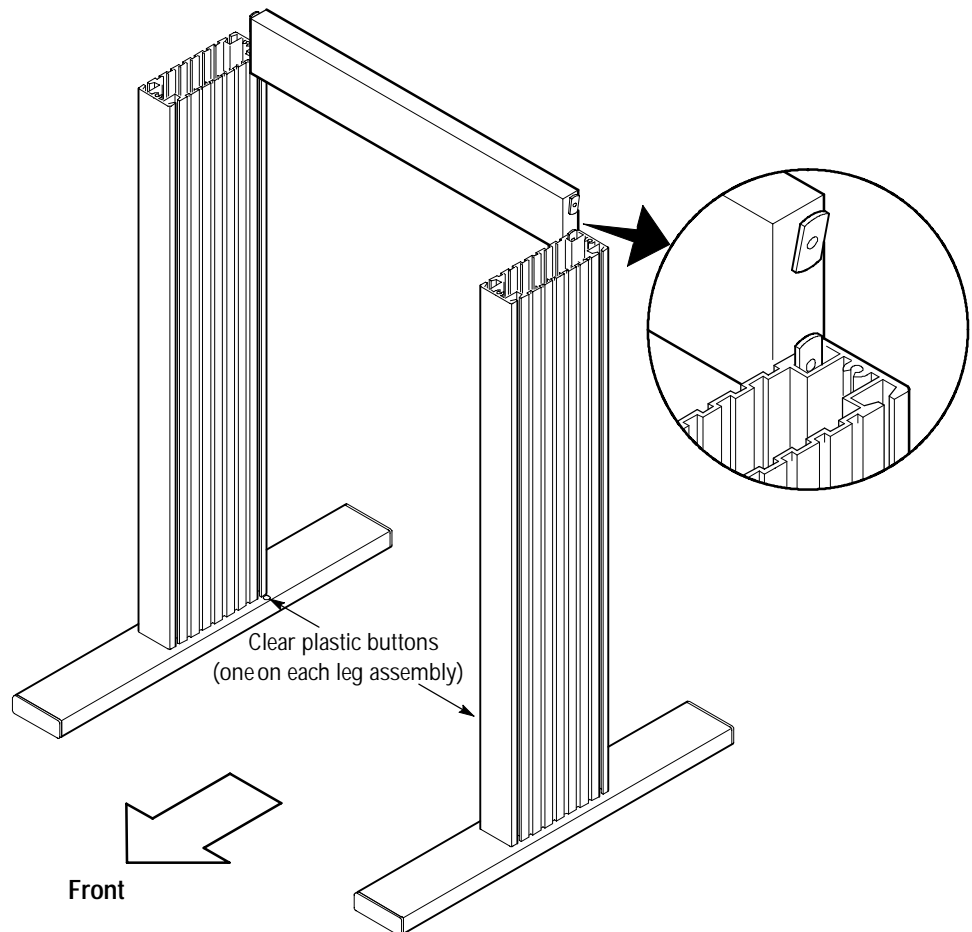


Figure 4a: Aligning the Leg Assemblies and the Strut

8. Slide the strut down to the base of the cart, adjusting the distance between the leg assemblies as needed. When complete, make sure the strut is resting tight against the clear plastic buttons on the leg assemblies.
9. Use the 3/16 inch Allen wrench to tighten the cap head screws. Tighten them first snugly, then go back and tighten them firmly.

NOTE. If you have a torque wrench available, tighten these and all shelf screws to 60 in.... lb (6.8 N.... m) torque.

10. Tip the cart onto its back as shown in Figure 5, resting it on the work surface by the tops and backs of the leg assemblies.
11. Identify which casters are locking and which are non-locking. The locking casters, which go on the front of the cart, have an extra tab that you step on to lock the wheels.

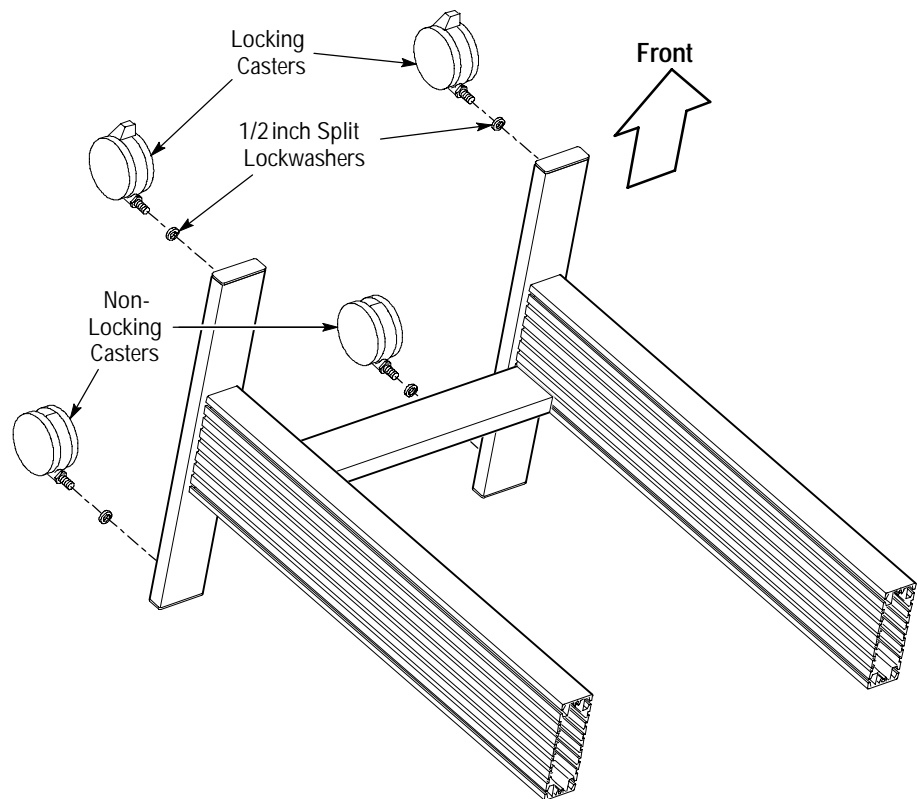


Figure 5: Installing the Casters

- 12.** On the locking casters, place a 1/2 inch split lockwasher on each threaded shaft, then install the casters into the two front holes in the bottoms of the leg assemblies. Tighten the casters only until they are snug using the 3/4 inch (19 mm) wrench.
- 13.** On the non-locking casters, place a 1/2 inch split lockwasher on each threaded shaft, then install the casters into the two back holes in the bottoms of the leg assemblies. Tighten the casters only until they are snug.
- 14.** Return the cart to the upright position.

Drawer Shelf and Drawer

Install a drawer shelf and drawer in the cart. You will use these parts:

- 1 Drawer Shelf
- 1 Drawer
- 4 1/4 20 Cap Head Screws, 1/2 inch length
- 4 1/4 inch Tooth Lockwashers
- 4 Weld Nuts
- 2 Press-Stud Retainers

You will use the 3/16 inch Allen wrench and the circular bubble level included with your cart.

1. Prepare the drawer shelf as shown in Figure 6 by installing a cap head screw, a tooth lockwasher, and a weld nut in each of the four side holes of the shelf. Leave each screw assembly loose; do not screw the weld nut onto the cap head screw more than one full turn.

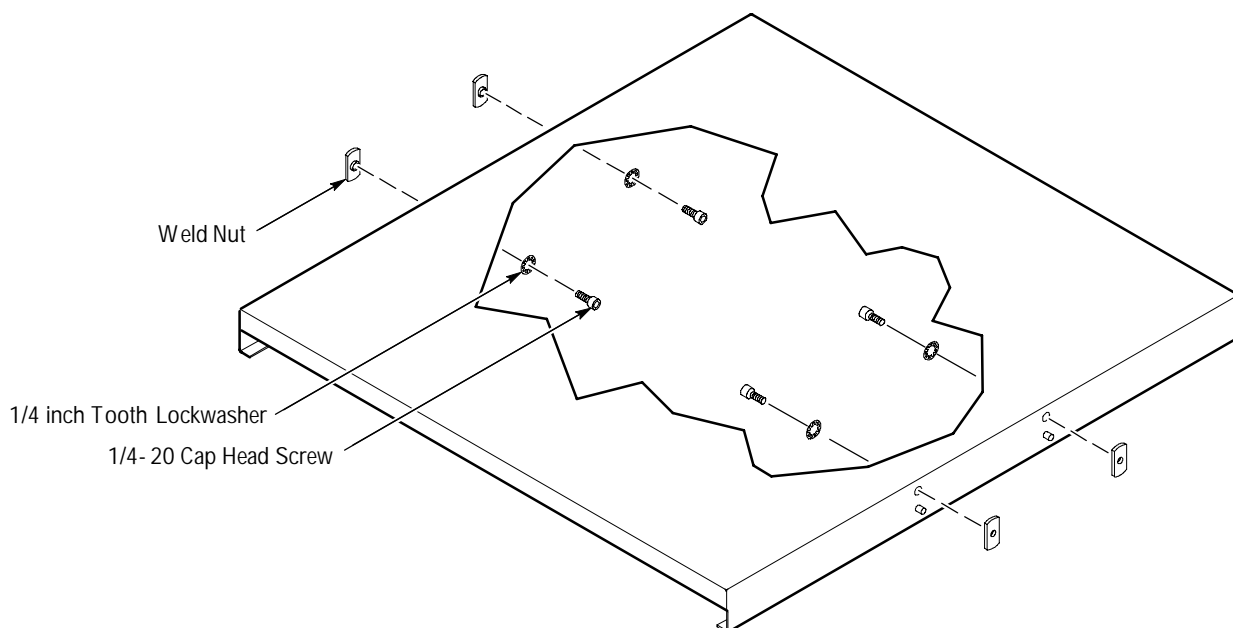


Figure 6: Preparing the Drawer Shelf

2. Position the drawer shelf horizontally between the leg assemblies, as shown in Figure 7. Position the shelf so the open edge is to the front of the cart.

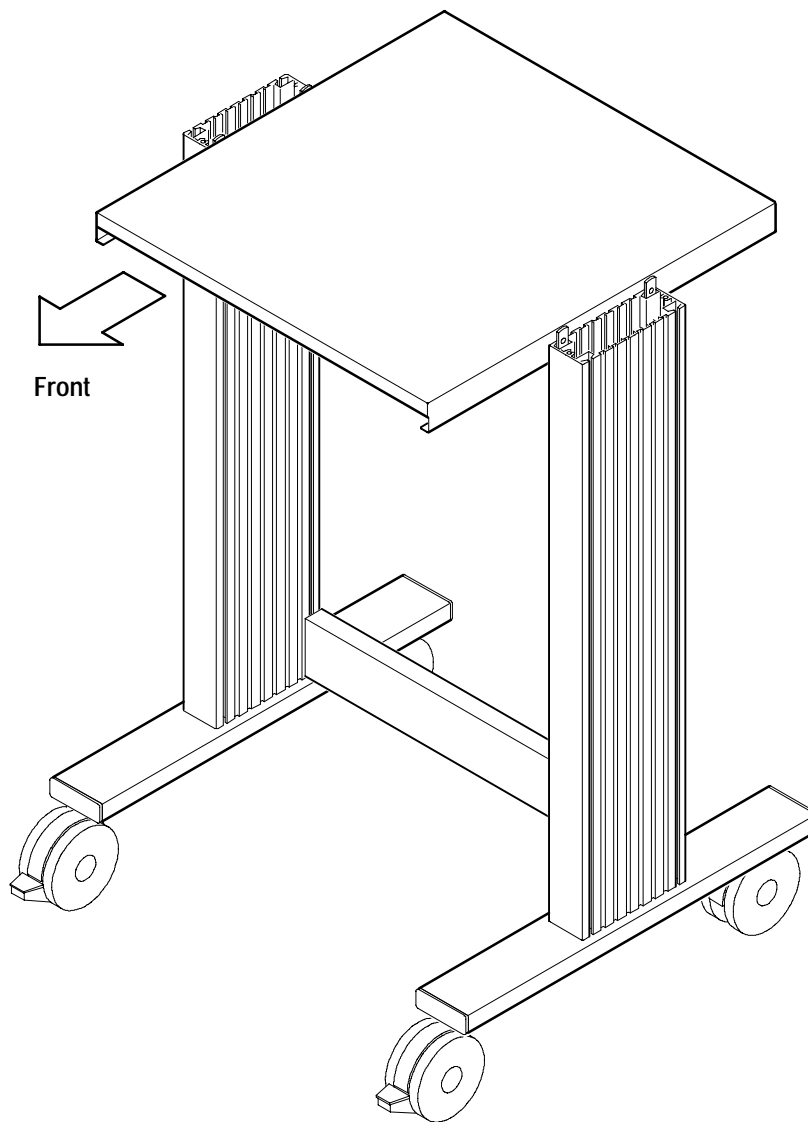


Figure 7: Aligning the Drawer Shelf

3. Slide the drawer shelf down to into the position shown in Figure 8. (A light pencil line has been marked on the insides of the leg assemblies at this position.) Slide the drawer shelf slowly between the leg assemblies to avoid scratching the paint. Use the circular bubble level to make sure the shelf is level.

If you have another person helping you, that person can hold the shelf at the proper height as you tighten the screws. If you are assembling the cart by yourself, tighten each screw in turn just enough to hold, and then adjust the heights one by one until the shelf is positioned properly.

4. Use the 3/16 inch Allen wrench to tighten the cap head screws. Tighten them first snugly, then go back and tighten them firmly.

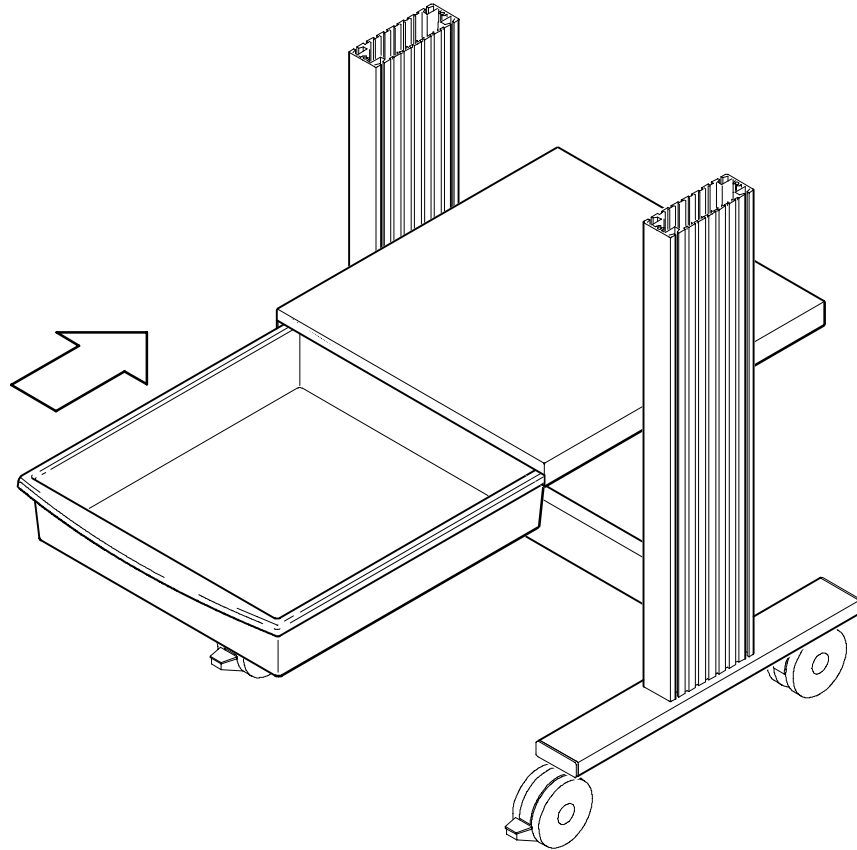


Figure 8: Installing the Drawer

5. Slide the drawer in underneath the drawer shelf as shown in Figure 8. Position the drawer so that the curved edge is to the front of the cart. Slide the drawer into the shelf until it stops.
6. Use your thumb to press into place the two press-stud retainers at the bottom of the drawer rails, as shown in Figure 9.

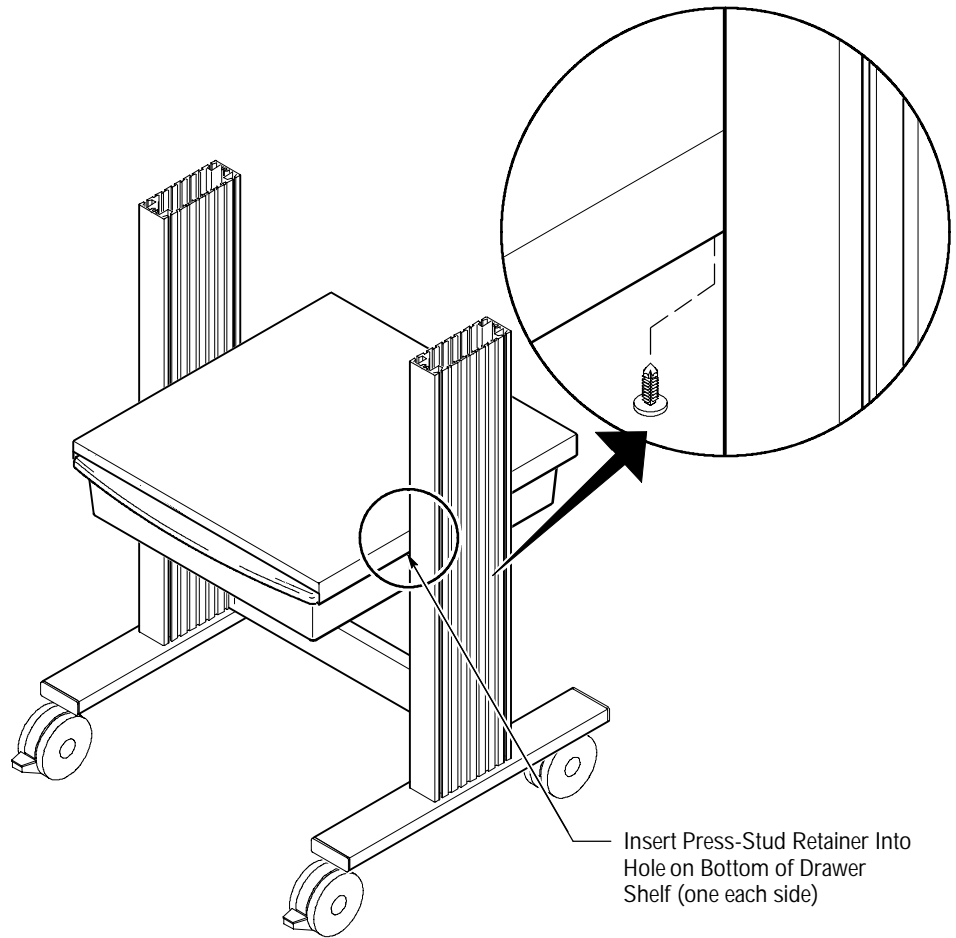


Figure 9: Installing the Press-Stud Retainers

Tilt Shelf

Install a tilt shelf with handle in the cart. This shelf should be installed at the height of the tops of the leg assemblies. You will use these parts:

- 1 Tilt Shelf with Handle
- 2 Long Rails
- 2 1/4 20 Set Screws
- 2 Weld Nuts
- 2 1/4 20 Shoulder Bolts, 1/2 inch length
- 6 1/8 inch thick Kevlar (plastic) Washers
- 2 3/4 inch Steel Washers
- 2 Oval Knobs

You will use the 5/32 inch and 1/8 inch Allen wrenches and the circular bubble level included with your cart.

1. Prepare each of the two long rails by installing a set screw in one of the threaded holes, as shown in Figure 10. Insert the set screw, positioned with the hexagonal wrench hole out, into the side of the long rail with the bevels. Do not screw the set screw all the way in to the long rail; only thread it far enough to get it started.

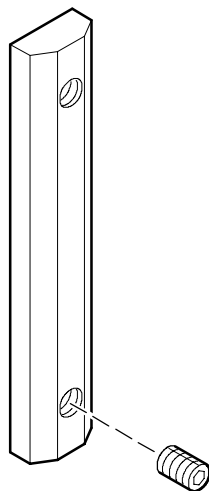


Figure 10: Preparing the Long Rails

2. Slide one long rail down the front channel each leg assembly with the set screw at the bottom. Position the long rail so that its top edge is about two inches below the final tilt shelf height. Figure 11 shows the alignment marks that you will find on the leg assemblies. Align the tops of the long rails with these marks. Tighten the set screws using the 1/8 inch Allen wrench.

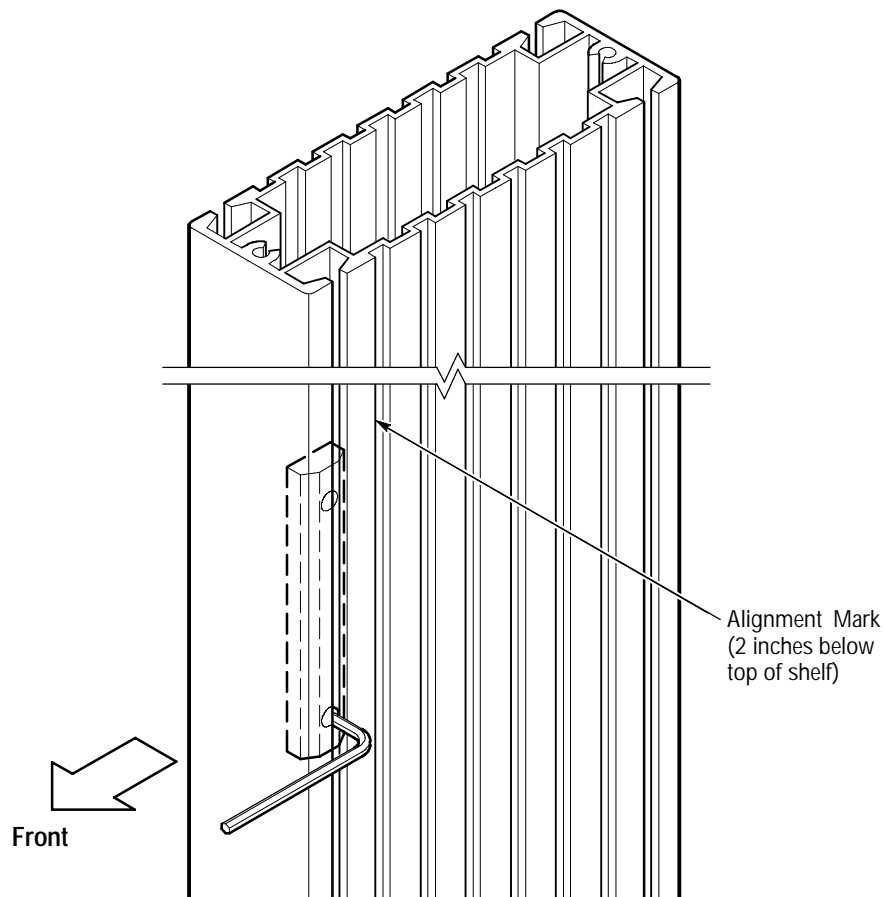


Figure 11: Long Rail Alignment Marks on the Leg Assemblies

3. Prepare the tilt shelf with handle as shown in Figure 12, by installing a shoulder bolt, a steel washer, a Kevlar washer, and a weld nut in each of the two back holes of the tilt shelf. The front holes are curved slots; use the back holes opposite them. Place the washer on the outside of the shelf, between the shelf and the leg assembly. Leave each screw assembly loose; do not screw the weld nut onto the shoulder bolt more than one full turn.

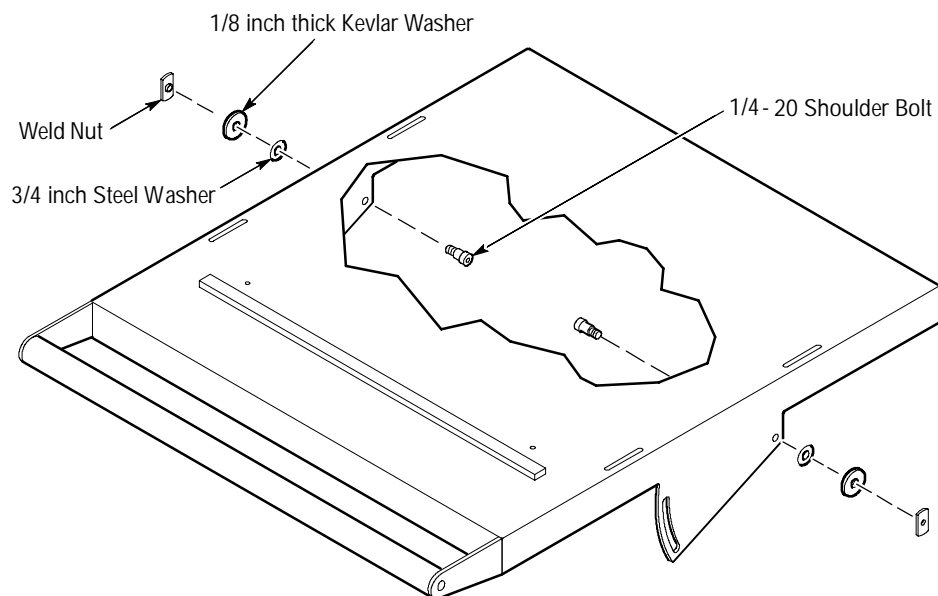


Figure 12: Preparing the Tilt Shelf with Handle

4. Position the tilt shelf with handle horizontally between the leg assemblies, as shown in Figure 13. Make sure the curved slots under the shelf are toward the front of the cart.

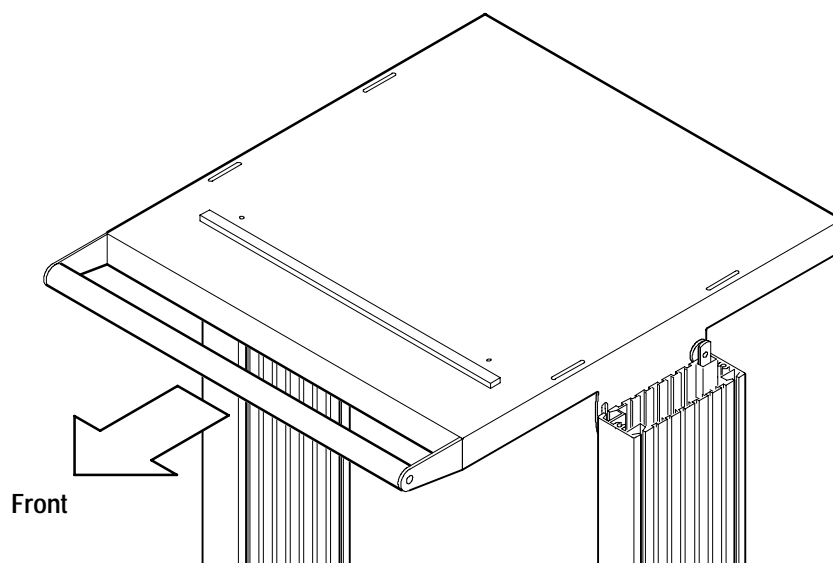


Figure 13: Aligning the Tilt Shelf with Handle

5. Slide the tilt shelf with handle down to its position at the height of the top of the leg assemblies. Slide the tilt shelf slowly between the leg assemblies to avoid scratching the paint.

If you are assembling the cart by yourself, you will find it helpful to tighten the shoulder bolts on the back of the tilt shelf finger tight. This will hold the shelf in place as you assemble the front adjustment knobs.

If you have another person helping you, that person can hold the shelf at the proper height as you perform the following steps.

6. Place a Kevlar washer on the stud of each oval knob. On each side of the tilt shelf, hold an additional Kevlar washer between the shelf and the leg assembly and pass the stud of the oval knob through the shelf slot, the additional washer, and into the top hole of the long rail. Figure 14 shows this in detail.

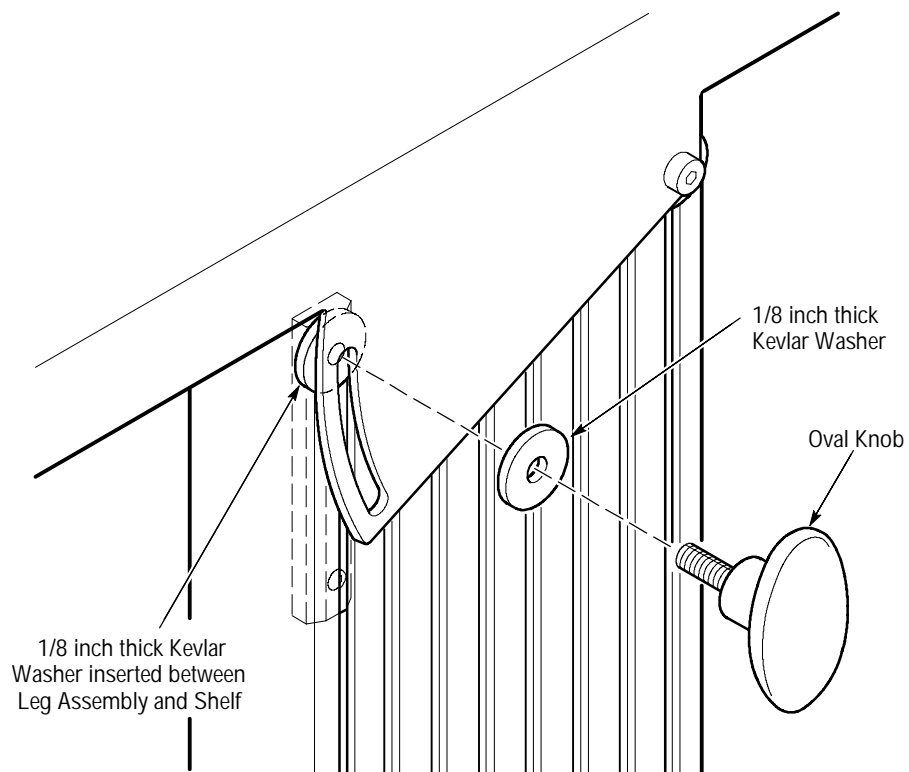


Figure 14: Installation of Tilt Shelf Knobs

7. With the adjustment knobs slightly loose, adjust the tilt of the tilt shelf down as far as possible. The top of each adjustment slot should touch the knob shaft. Tighten the adjustment knobs hand tight.

- 8.** If you previously tightened the shoulder bolts at the back of the tilt shelf, loosen them now so that you can adjust the level of the tilt shelf in step 9.
- 9.** Use the circular bubble level to adjust the tilt shelf to be level. When it is level, use the 5/32 inch Allen wrench to tighten the shoulder bolts at the back of the tilt shelf.

Leg Caps

Install the two leg caps in the tops of the leg assemblies. You do not need any tools to install the leg caps.

Press a leg cap into the top of each leg assembly as shown in Figure 15. You may need to press them into place with the heel of your hand.

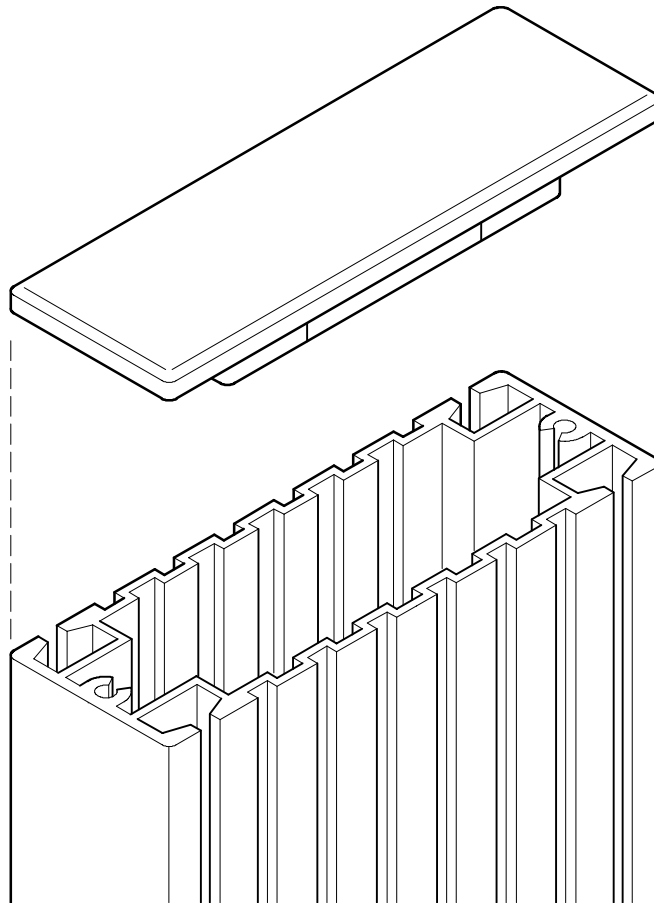


Figure 15: Installing the Leg Caps

Nylon Straps

The last assembly step to finish your cart is to install the two Nylon straps with buckles. You do not need any tools for this step.

Many of the shelves of your cart have slots for installing Nylon straps. Full-size shelves have slots for two straps each, and half shelves have slots for one strap each. You should install your straps in the shelves you will be using to hold instruments. Always use straps to hold equipment on tilting shelves.

Install the Nylon straps as shown in Figure 16. Note the routing of the strap through the buckle. This routing allows you to tighten the strap around an instrument by pulling on the free end of the strap. To loosen a strap, pull up on the tab of the buckle.

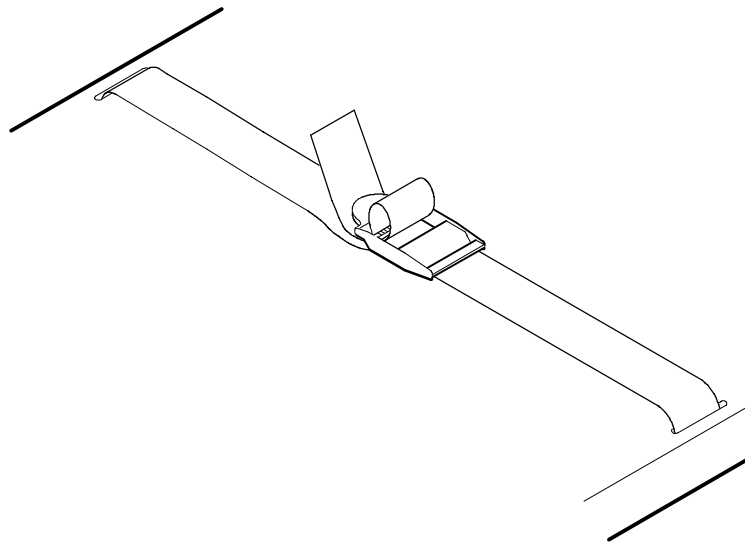


Figure 16: Installing the Nylon Straps with Buckles

Customization

You can customize your cart in several ways:

- You can adjust the heights of any of the shelves. First remove all equipment from the cart. Loosen the four screws associated with the shelf (or for tilting shelves, the shoulder bolts, oval knobs, and set screws), adjust the height, level, and retighten.
- You can move the Nylon straps to any shelf where they are needed.
- You can apply the press-on probe holder anywhere on the cart that is convenient. Once applied, it cannot be moved. Make sure the place you are applying it is clean and dry. Peel the backing from the sticky tape and press holder into place.
- Tilting shelves can be tilted by loosening the two oval knobs, tilting the shelf to the desired position, and retightening the oval knobs.
- Tilting shelves have a retaining bar on the shelf surface; placing instrument feet in front of this bar helps prevent the instrument from sliding down the tilted surface. You can move this bar to one of two different positions to accommodate the instruments you are using.
- You can rearrange the configuration of the shelves by disassembling the cart and reassembling it in a different order. Remember to build the cart from the bottom, shelf by shelf.



WARNING. *Changes in shelf location and loading can affect the balance of the cart. If you arrange the shelves differently from the configuration described in this manual, test the cart carefully for stability before using it.*

Replaceable Parts

Contact your Tektronix representative to order replacement parts. Within the United States and Canada, you can call 1-800-TEK-WIDE (1-800-835-9433).

You can order the following parts to repair the K420 Bench Cart:

- Locking Caster, Tektronix part number 401-0691-00.
- Non-Locking Caster, Tektronix part number 401-0690-00.
- Nylon Strap with Buckle, Tektronix part number 346-0261-00.
- Replacement bar handle with foam cover and set screws, Tektronix part number 367-0452-00.
- Package of assorted small hardware and leg caps, Tektronix part number 016-1259-00. Table 2 lists the parts included in this package.

Table 2: Parts Included with Tektronix Part Number 016-1259-00

Quantity	Part Description
2	Leg Caps
2	1/2 inch Split Lockwashers
4	Weld Nuts
2	Long Rails
8	1/4 inch Tooth Lockwashers
8	1/4 20 Cap Head Screws, 1/2 inch length
6	1/8 inch thick Kevlar (plastic) Washers
2	Oval Knobs
2	1/4 inch 20 Set Screws
2	3/4 inch Steel Washers
2	1/4 20 Shoulder Bolts, 1/2 inch length
2	Press-Stud Retainers

If you intend to mount a TDS/TLA5000 series instrument to cart models K420 or LACART, you will need a mounting bracket kit, Tektronix part number 407-4996-00.

The mounting bracket kit is included when you order TDS5XXX Option 1K (adds K420 cart and bracket kit). For TLA5000 series instruments you must order the mounting bracket kit separately (Tektronix part number 407-4996-00).

Specifications

The K420 Bench Cart meets the specifications in Table 3. Table 4 shows additional characteristics.

Table 3: Performance Specifications

Parameter	Specification
Loading Limit, Shelves	34 kg (75 lb)
Loading Limit, Drawer	6.8 kg (15 lb)
Shelf Tilt Top Shelf	0° to +26°

Table 4: Physical Characteristics

Parameter	Typical Characteristic
Overall Dimensions	
height	771 mm (30.7 in)
width	635 mm (25.0 in)
depth	620 mm (24.4 in)
Top Shelf Dimensions	
width	502 mm (19.8 in)
depth	533 mm (21.0 in)
Drawer Shelf Dimensions	
width	508 mm (20.0 in)
depth	533 mm (21.0 in)
Drawer Dimensions	
width	496 mm (19.5 in)
depth	559 mm (22.0 in)

目 次

安全にご使用いただくために	26
Tektronix 連絡先	27
はじめに	29
ベース部の組み立て	33
引き出しと棚板	39
チルト式天板	43
脚部用キャップ	48
ナイロン・ストラップ	49
カスタマイズ	50
交換用部品リスト	51
仕 様	52

安全にご使用いただくために

安全にご使用いただくために、K420 型台車をご使用になる前に、次の事項を必ずお読みください。

水平を保つ

K420 型台車は、常に水平を保ち、特に機器を搭載している状態では、十分に注意してください。台車は安定した設計が図られていますが、極端に傾けると倒れる可能性があります。以下のような場合には注意が必要です。

- 水平ではない場所で台車を移動する場合
- 出入り口等の水平ではない敷居を通る場合
- ケーブルの上を通過させる場合
- 傾斜面で台車を移動させる場合

棚の搭載質量を守る

本マニュアルの仕様欄で規定されている質量を超えるものを台車の棚に載せないでください。

電気的安全性

台車の構成部品は、外見上非導電物に見えても、すべて導電するものとして取り扱ってください。キャストを台車と床の絶縁替りに使用しないでください。また、キャストを利用して接地しないでください。

台車のカスタマイズ

棚板や引き出しの位置を変えると台車のバランスに影響することがあります。本マニュアルで説明されている位置と異なる位置に棚板を取り付ける場合は、安定性を十分確認してから使用してください。

Tektronix 連絡先

Tektronix, Inc.
14200 SW Karl Braum Drive
P.O. Box 500
Beaverton, OR 97077
USA

製品情報、セールス／サービス／テクニカル・サポートについては、
下記にお問い合わせください。

- 北米：1-800-833-9200
- 世界の他の地域：Tektronix の営業所または代理店にお問い合わせ
ください。営業所のリストについては、www.tektronix.com を参照
してください。

はじめに

このマニュアルでは、K420 型台車の組み立て方およびその使用方法を説明します。

K420 型台車は、一人で組み立てられますが、組み立てを補助する人がいるとより簡単に作業が行えます。

台車の組み立てには、水平で十分な広さをもつ作業場所が必要です。カーペット敷きで、各種の組み立てパーツを楽に動かせるスペースが理想です。

ツール

台車の組み立てには、19 mm (3/4 インチ) オープンエンド・レンチ、またはサイズ調整可能なレンチが必要です。

他に必要なツール（組立工具）は、K420 型台車に付属しています。付属するツールは、5/32 インチ、3/16 インチ、1/8 インチの六角レンチ、および水準器です。

パーツの確認

K420 型台車を構成する主要部品は個別に梱包されてダンボール箱に収容されています。細かいパーツは袋にまとめてあります。付属するツールも袋に入っています。30 ページの図 1 は、組み立てで使用する細かいパーツを示します。

31 ページの表 1 は、台車の組み立てに必要なすべてのパーツをリストしています。

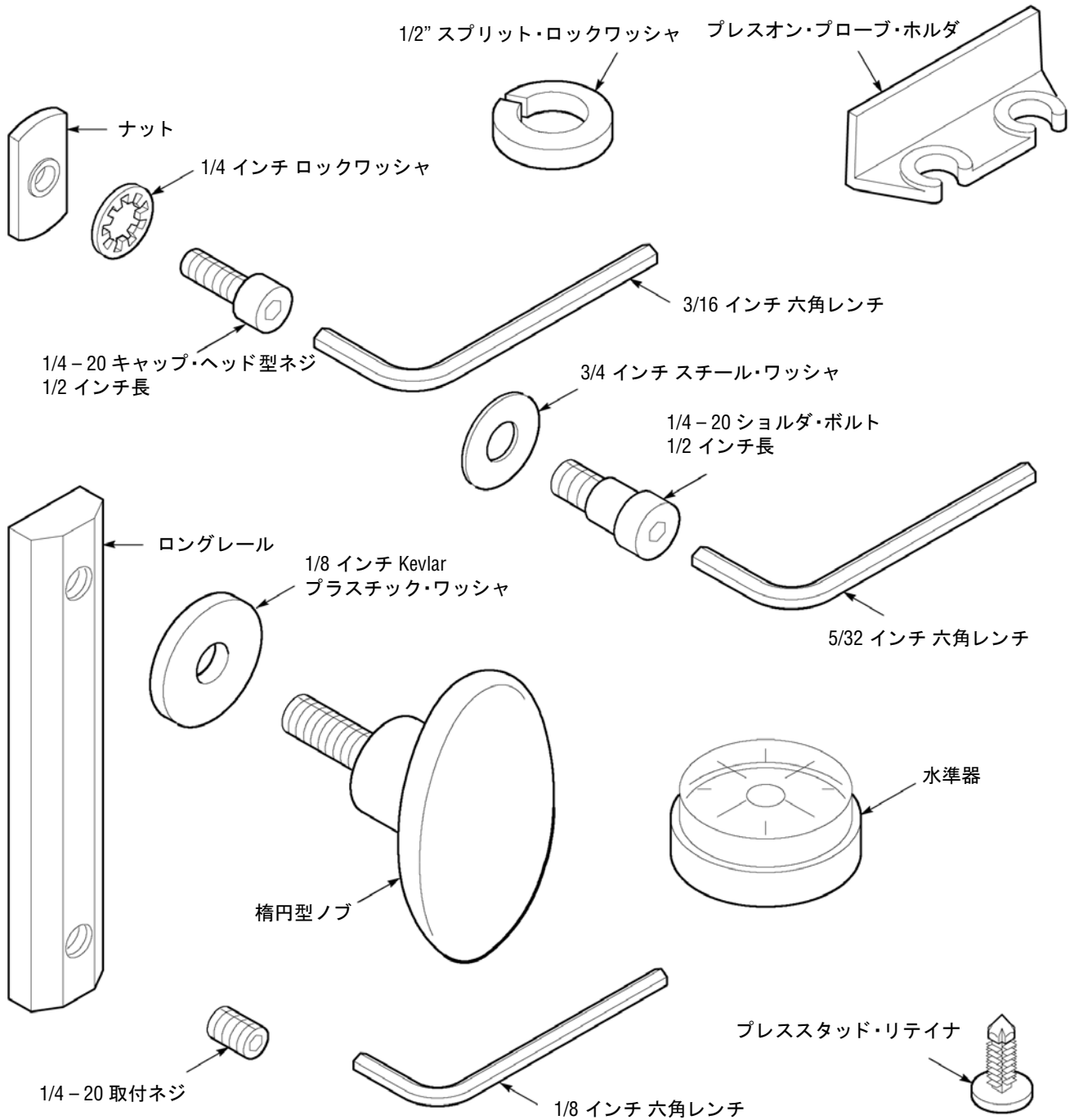


図 1: 小さいパーツの確認

表 1: パーツ・リスト

数 量	説 明
大きいパーツ	
2	キャスタ (ロック機能付)
2	キャスタ
1	チルト機能付天板 (ハンドル付)
1	引出し用棚板
1	引出し
1	ストラット (支柱)
2	脚部アセンブリ
2	キャップ
2	ナイロン・ストラップ
小さいパーツ (袋入り)	
4	1/2 インチ スプリット・ロックワッシャ
8	1/4-20 キャップヘッド型ネジ、1/2 インチ長
2	1/4-20 ショルダ・ボルト、1/2 インチ長
2	楕円型ノブ
6	1/8 インチ厚 Kevlar (プラスチック) ワッシャ
2	3/4 インチ スチール・ワッシャ
8	1/4 インチ ロックワッシャ
10	ナット
2	レール
2	1/4-20 取り付けネジ
2	プレス・スタッド・リテイナ
1	プレスオン・プローブ・ホルダ
組立工具 (袋入り)	
1	3/16 インチ 六角レンチ
1	5/32 インチ 六角レンチ
1	1/8 インチ 六角レンチ
1	水準器

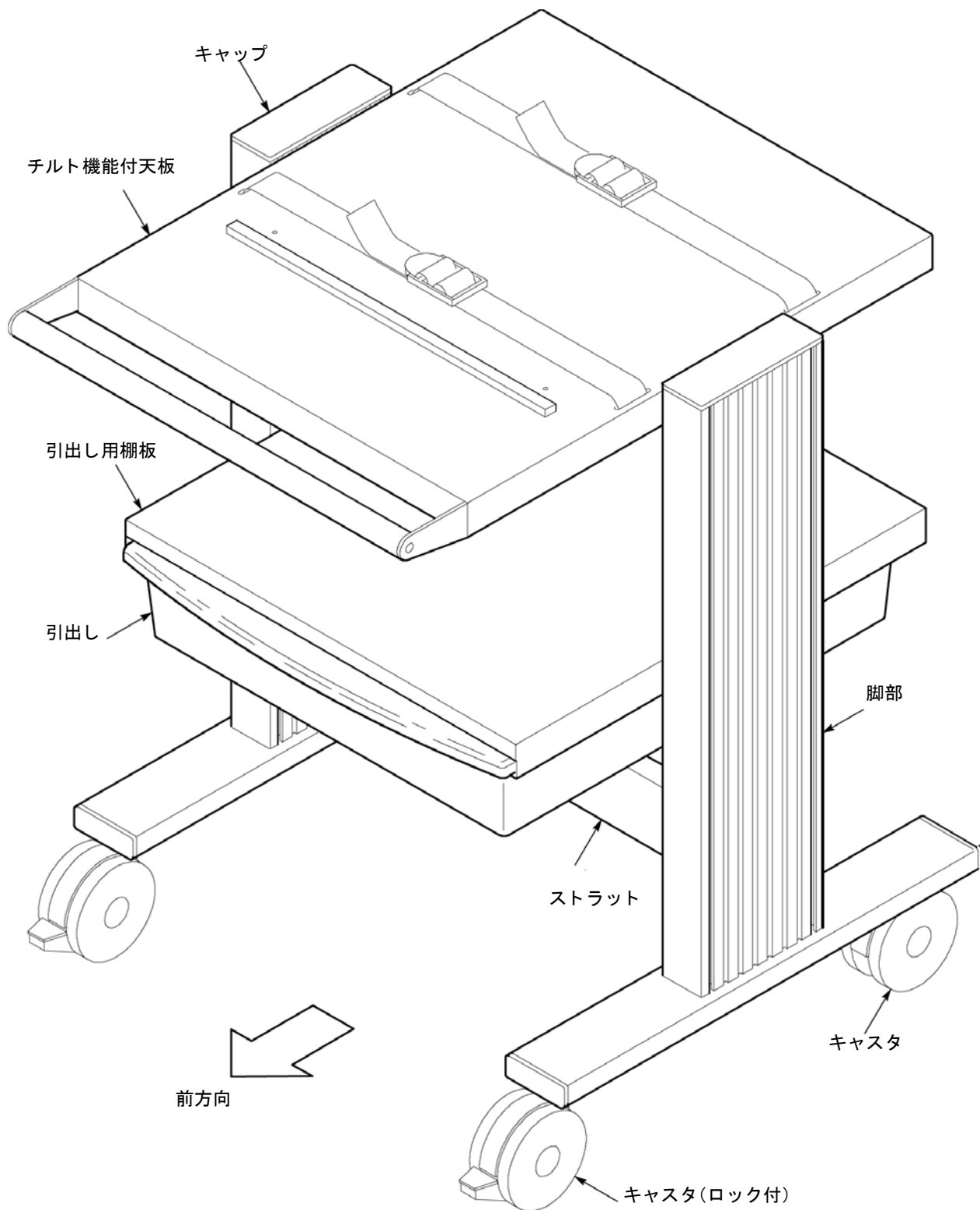


図 2: K420 型台車

ベース部の組み立て

ストラット（横方向の支柱）を使って台車の脚部を連結します。次に、キャストを取り付けます。次のパーツを使用します。

- ロック機能付キャスト 2個
- キャスタ（ロック機能なし） 2個
- 支柱 2個
- 脚部 2個
- バンプオン（プラスチックのボタン） 4個
- 1/4-20 x 2 インチ 取付ネジ 4個
- 1 インチ フェンダ・ワッシャ 4個
- 3/16 六角レンチ (Hex Key) 1個
- 1 x 3 インチ エンド・キャップ 4個
- ストラット 1個
- 1/2 インチ スプリット・ロックワッシャ 4個
- 1/4-20 キャップヘッド型ネジ、1/2 インチ長 4個
- 1/4 インチ ロックワッシャ 4個
- ナット 4個

3/4 インチ（19 mm）レンチと台車付属の 3/16 インチの六角レンチを使用します。

1. 図 3 に示すようにストラットを準備します。ストラットに対してナットを図 3 に示す位置に固定します。ネジは固く締めずにゆるめにしておきます。ナットを 1 回転以上締めないでください。

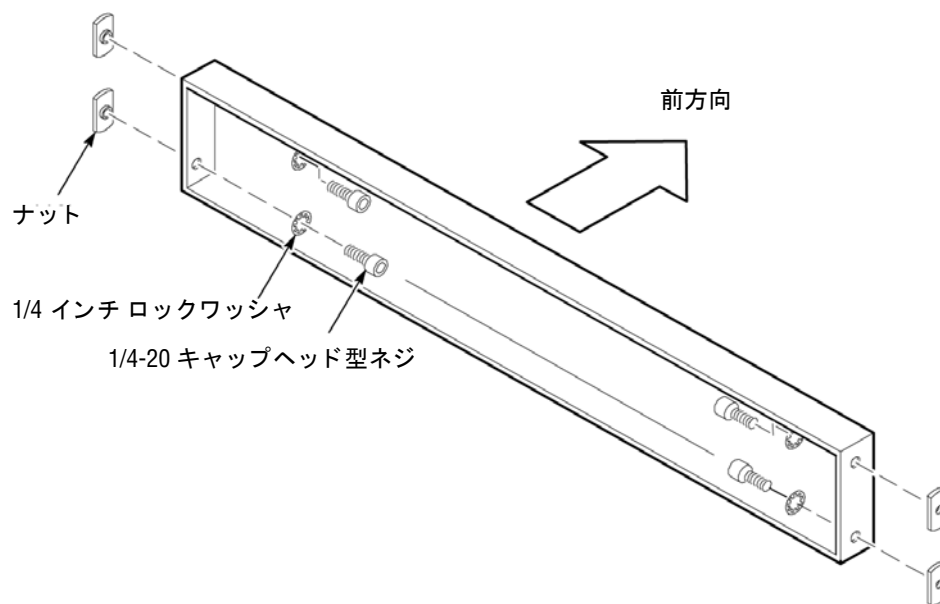


図 3: ストラットの準備

2. 脚部アセンブリの水平バーに小さいプラスチックのボタン（バンプオン）がついていることを確認します。このボタンが台車の内側になります。図 4 に示すように脚部アセンブリを置きます。脚部アセンブリ間のスペースがストラットの長さにほぼ等しい程度にしておきます。

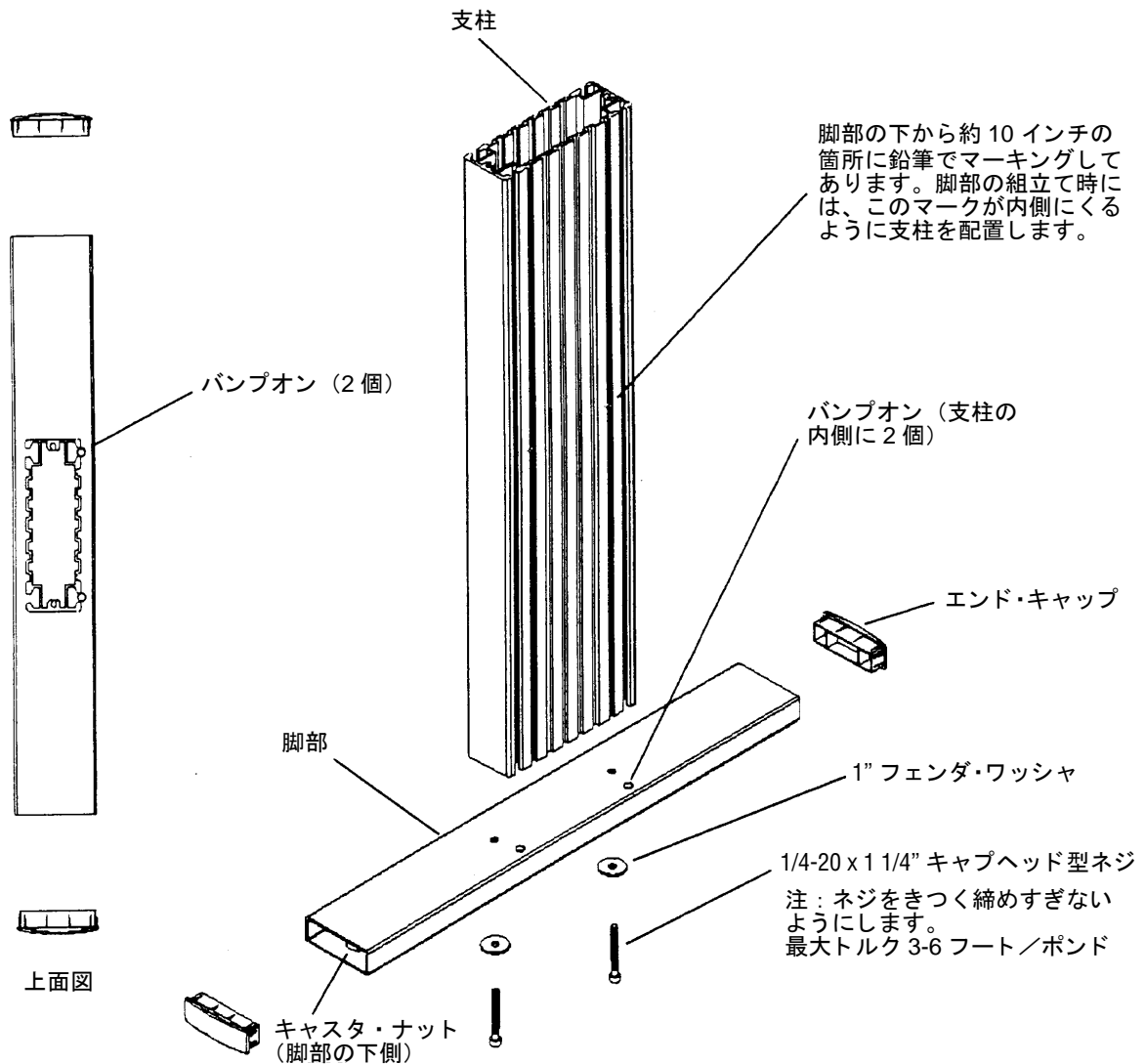


図 4: 脚部アセンブリの組立て

3. ネジ取付用の穴のある方を下に向けて縦方向の支柱を置きます。鉛筆で薄くマーキングしてある方が支柱の内側になるようにします。脚部アセンブリを 2 本組み立てます。
4. 長いネジにワッシャを通し、脚の部分の下からネジを通します (キヤスタ取付部分の横にネジ取付穴があります)。取付ネジは脚を貫通して支柱と連結させます。六角レンチでネジを締めます。



注意：ネジをきつく締めすぎると脚部が破損する恐れがあります。

最大トルク 3-6 ft-lbs で締めます。2 本目の支柱も同様に組み立てます。

5. 図に示すように、両方の脚にバンプオンを 2 つずつ置きます。両支柱の内側にバンプオンを配置します。
6. エンド・キャップを脚部に取り付けます。
7. 図 4a に示すように、脚部アセンブリの間にストラットを水平に取り付けます。ストラットの開いている方が後部に向きます。ナットを脚部アセンブリの**後部側**の接合用の溝に合わせます。

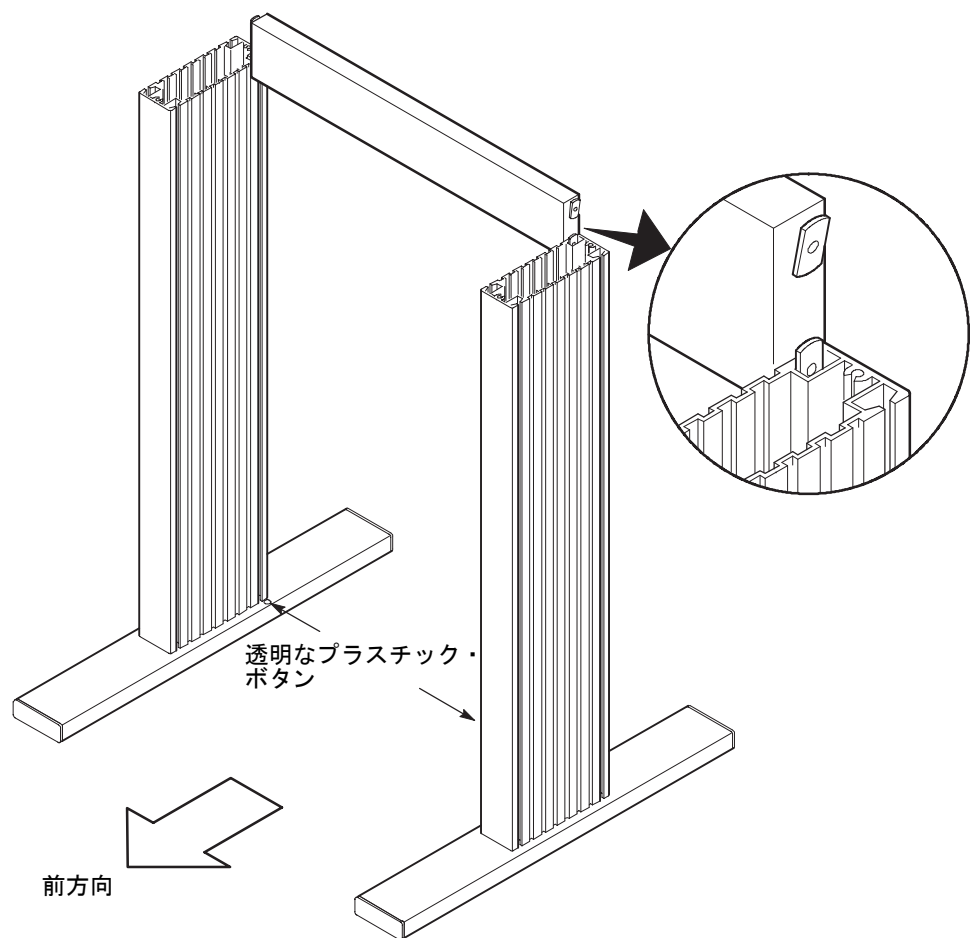


図 4a: 脚部アセンブリとストラットの調整

8. 脚部アセンブリ間の間隔を調整しながら、ストラットを台車のベース（基底部）方向にスライドさせます。最後までスライドさせると、ストラットが脚部アセンブリのプラスチックのボタンの位置にきっかりと収まります。
9. 3/16 インチの六角レンチを使用して、キャップヘッド型ネジを締めます。最初は軽く締め、次に固く締めます。

注：トルク・レンチをお持ちの場合、棚板のスクリューは 60 in·lb (6.8 N·m) トルクで締めてください。

10. 図 5 に示すように台車を倒します。脚部の両端にキャスタを取り付けられるように台車を置きます。
11. ロック機能付と機能なしのキャスタを区別しておきます。ロック機能付のキャスタは、台車の前部方向に取り付けられ、車輪をロックするためのタブが付いています。

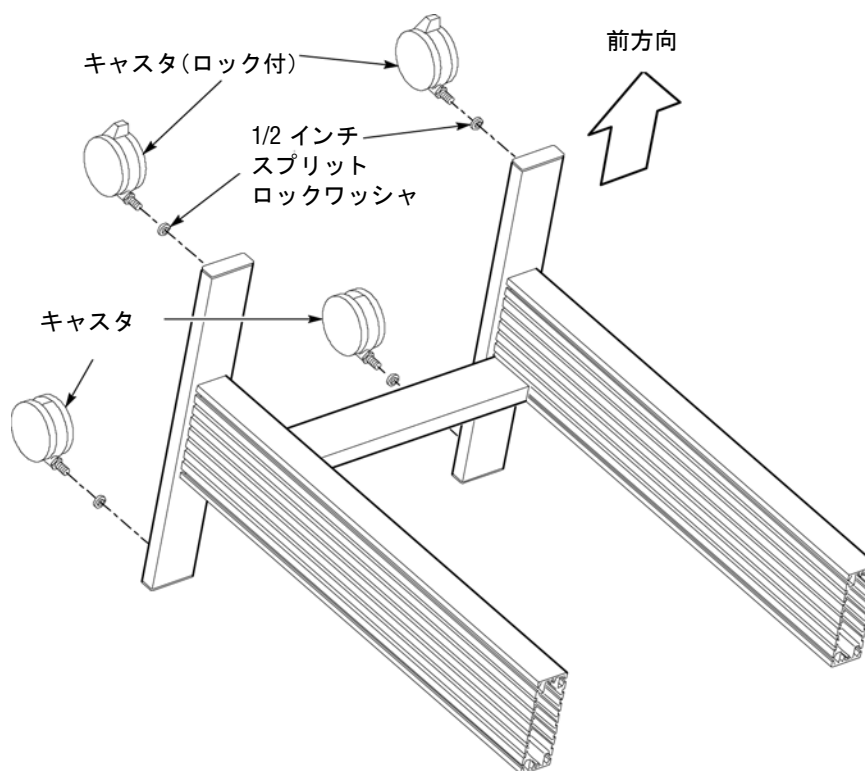


図 5: キャスタの取り付け

12. ロック機能付キャスタに、それぞれ 1/2 インチのスプリット・ロックワッシャを通し、脚部アセンブリの前部にある穴に取り付けます。
3/4 インチ (19 mm) レンチで締めます。
13. ロック機能なしのキャスタに、1/2 インチのスプリット・ロックワッシャを通し、脚部アセンブリの後部にある穴に取り付けます。
14. 台車を元の状態に戻します。

引き出しと棚板

ここでは、台車に棚板と引き出しを取り付けます。次のパーツを使用します。

- 棚板 1個
- 引き出し 1個
- 1/4-20 キャップヘッド型ネジ、1/2 インチ長 4個
- 1/4 インチ ロックワッシャ 4個
- ナット 4個
- プレススタッド・リテイナ 2個

台車付属の 3/16 インチの六角レンチと水準器を使用します。

1. 図6に示すように棚板を準備します。棚板の両側面の4つの穴に、キャップヘッド型ネジ、ロックワッシャ、ナットを図に示すように取り付けます。ネジは固く締めずにゆるめにしておきます。ナットを1回転以上締めないでください。

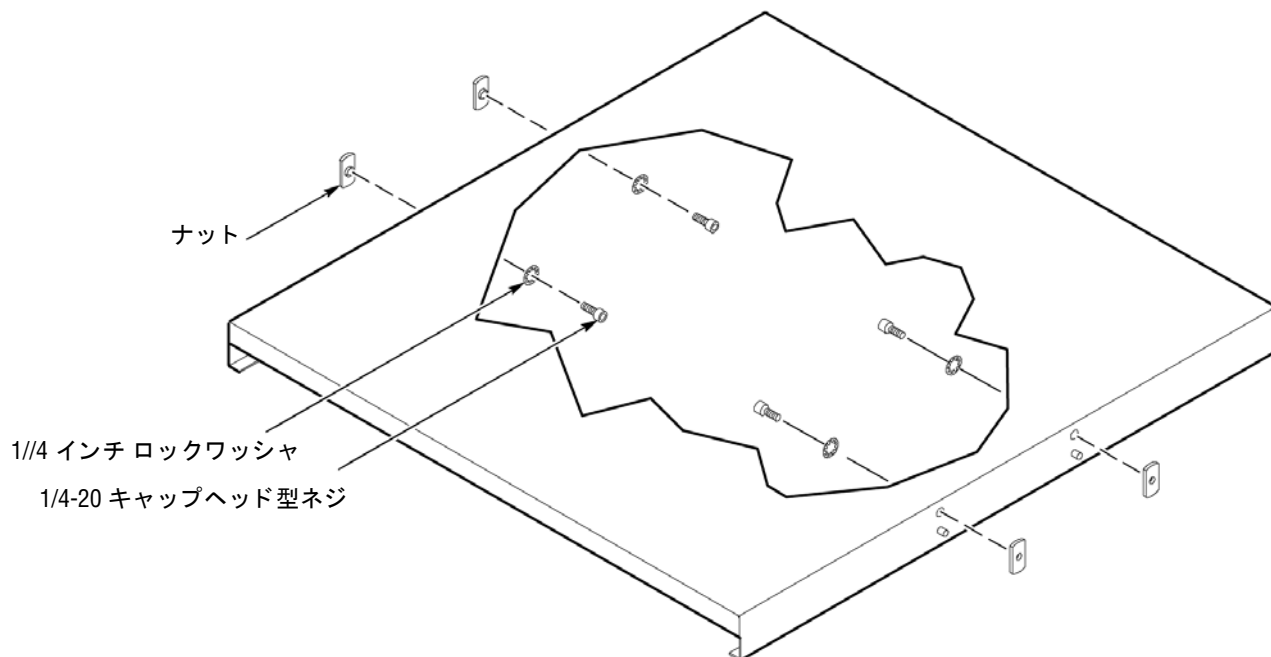


図 6: 棚板の準備

2. 図7に示すように、脚部アセンブリ間で、棚板を水平に位置決めします。棚板の端がオープンになっている方を台車の前方向に向けます。

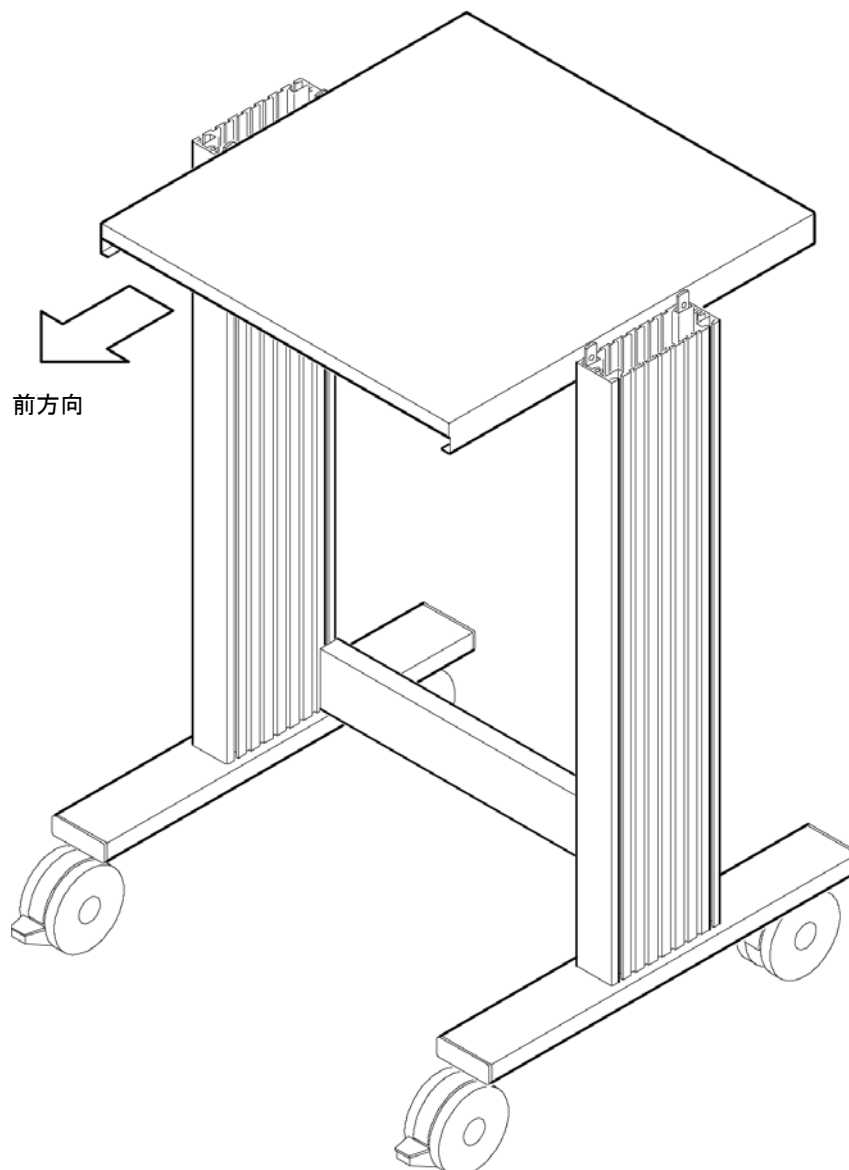


図 7: 棚板の位置決め

3. 図8に示す位置まで棚板を下にスライドさせます（棚板を止める位置は、脚部アセンブリの内側に薄くマーキングしてあります）。棚板をスライドさせるときに、塗装を傷つけないように、ゆっくりとおろしていきます。水準器を使って、棚板が水平であることを確認します。

他に補助作業員がいる場合は、補助作業員が棚板を適切な高さに保っている間に、ネジを締めます。単独で台車を組み立てている場合は、両側のネジを交互に締めていき、次に高さが適切になるように調整します。

4. 3/16 インチの六角レンチを使用して、キャップヘッド型ネジを締めます。最初は軽く締め、次に固く締めます。

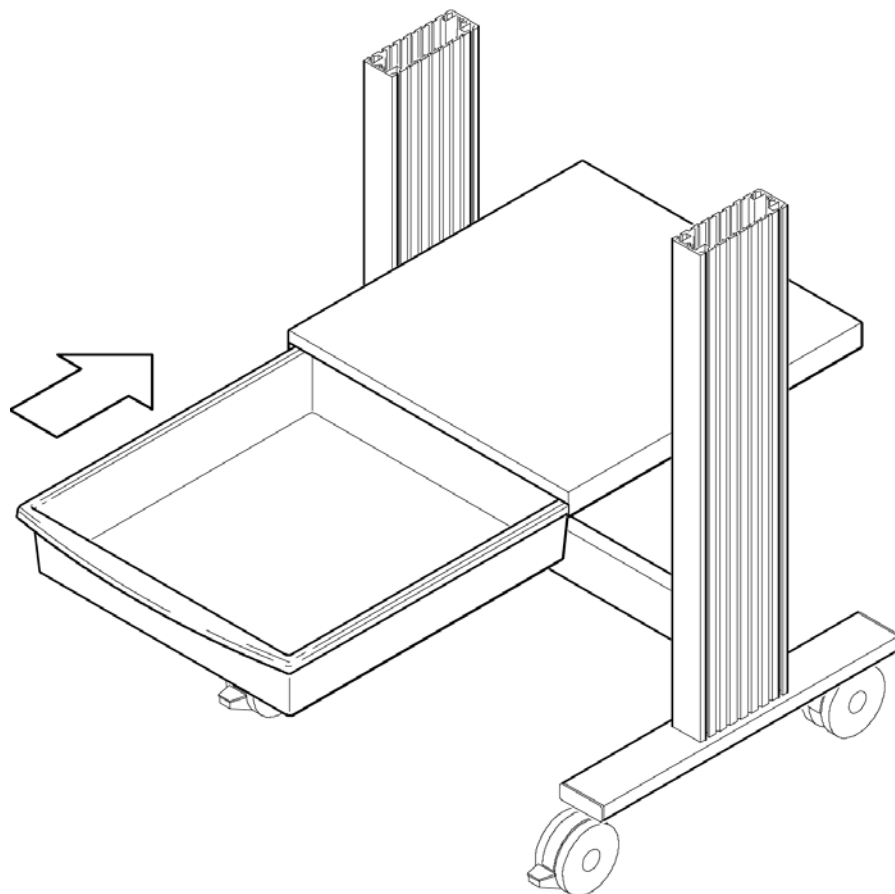


図 8: 引出しの取り付け

5. 図 8 に示すように、引出しを棚板の下にスライドさせます。引出しの端が丸みを帯びた方が台車の前方向になります。引出しが止まるまで棚板の下にスライドさせます。
6. 親指を使って、プレススタッド・リテナを引出しのレールの下に押し込みます。図 9 参照。

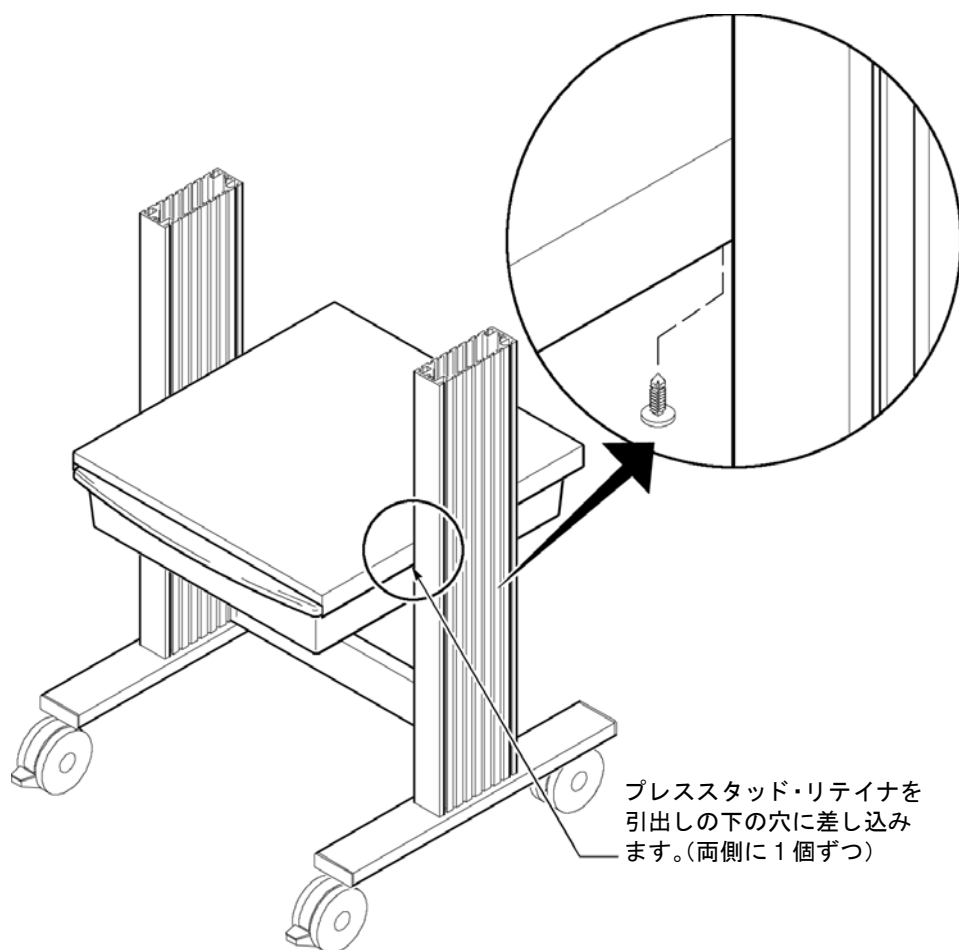


図 9: プレススタッド・リテイナの取り付け

チルト式天板

ここでは、チルト式天板を台車に取り付けます。この天板は、脚部アセンブリの上部に取り付けます。次のパーツを使用します。

- チルト式天板（ハンドル付） 1個
- レール 2個
- 1/4 20 取り付けネジ 2個
- ナット 2個
- 1/4-20 ショルダ・ボルト、1/2 インチ長 2個
- 1/8 インチ厚 Kevlar（プラスチック）ワッシャ 6個
- 3/4 インチ スチール・ワッシャ 4個
- 楕円型ノブ 2個

台車付属の 5/32 インチと 1/8 インチの六角レンチ、および水準器を使用します。

1. 図 10 に示すように、レールの 2 つの穴のうち的一方に取り付けネジを装着します。六角の穴が開いている方を外側にして、レールの傾斜のついている側にネジを挿入します。取り付けネジをレールの中に完全には挿入せずに、少しだけ差し込みます。

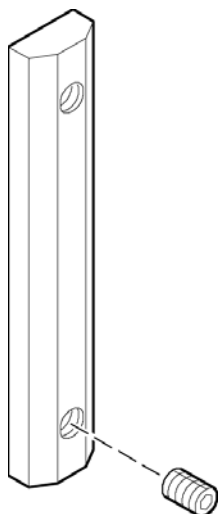


図 10: レールの準備

2. 取り付けネジを下にしたレールを脚部アセンブリの前方向の溝にスライドさせます。レールの上端がチルト式天板の高さから 2 インチ (約 5 cm) 下の位置になるように位置決めします。脚部アセンブリには、図 11 に示す位置にマーキングしてあります。レールの上端をこのマーキング位置に合わせます。1/8 インチの六角レンチを使って取り付けネジを締めます。

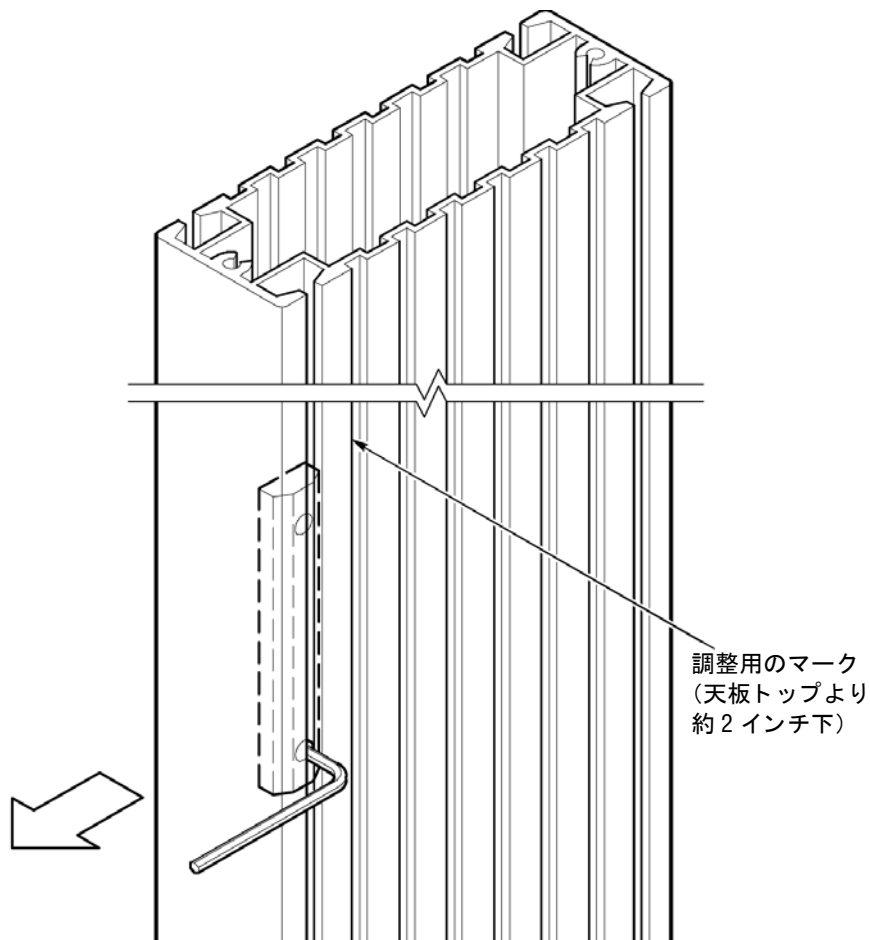


図 11: 脚部アセンブリのレール位置決め用マーキング

3. 図 12 に示すようにハンドル付天板を準備し、ショルダ・ボルト、スチール・ワッシャ、Kevlar ワッシャとナットをチルト式天板の後方の穴に取り付けます。前方向の穴は天板に傾斜をつけるための溝です。天板と脚部アセンブリ間で、ワッシャを天板の外側に取り付けます。ネジは軽く締めておき、ナットを 1 回転以上締めないでください。

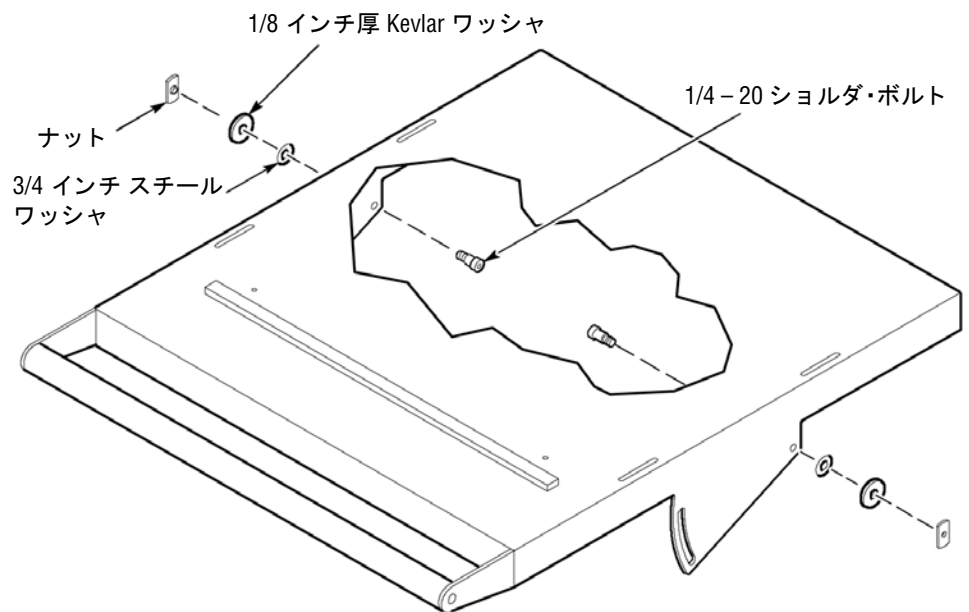


図 12: ハンドル付チルト式天板の準備

4. ハンドル付チルト式天板を、図 13 に示すように脚部アセンブリ間に水平に置きます。天板の下にある曲線状の溝が台車の前方を向くようにします。

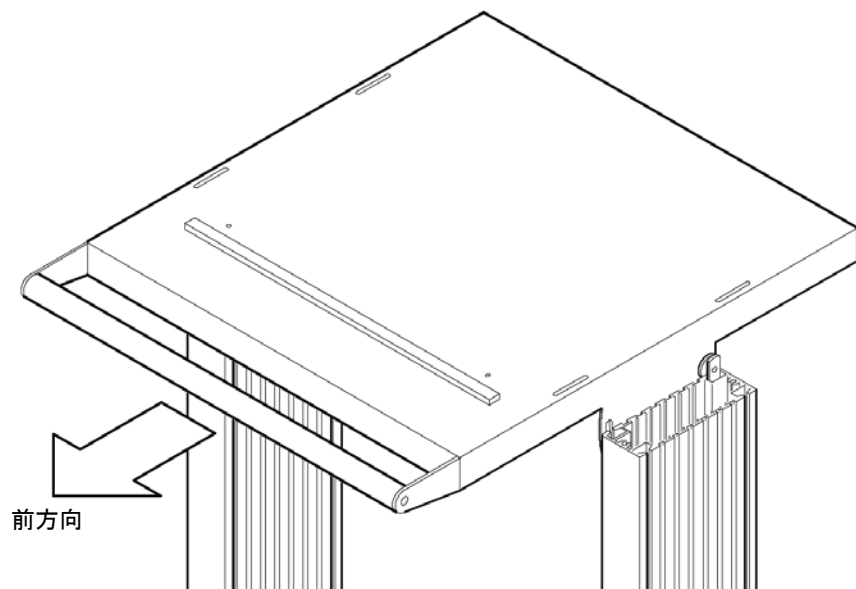


図 13: ハンドル付チルト式天板の位置調整

5. ハンドル付チルト式天板を脚部アセンブリのトップ位置から下にスライドさせます。天板をスライドさせるときに、塗装を傷つけないように、ゆっくりとおろしていきます。

単独で台車を組み立てている場合は、チルト式天板の後ろ側のショルダ・ボルトをここで締めておきます。こうすると、前方の傾斜調整用ノブを組み立てる際に天板を支えることができます。

他に補助作業員がいる場合は、補助作業員が天板を適切な高さに保っている間に、以下の手順を実行します。

6. Kevlar ワシヤと楕円型ノブを図 14 のように取り付けます。楕円型ノブに Kevlar ワシヤを 1 個通し、天板の傾斜用溝を通して、さらに天板と脚部アセンブリ間にもう 1 個の Kevlar ワシヤを使って、レールの上の穴に取り付けます。詳細は図 14 を参照してください。

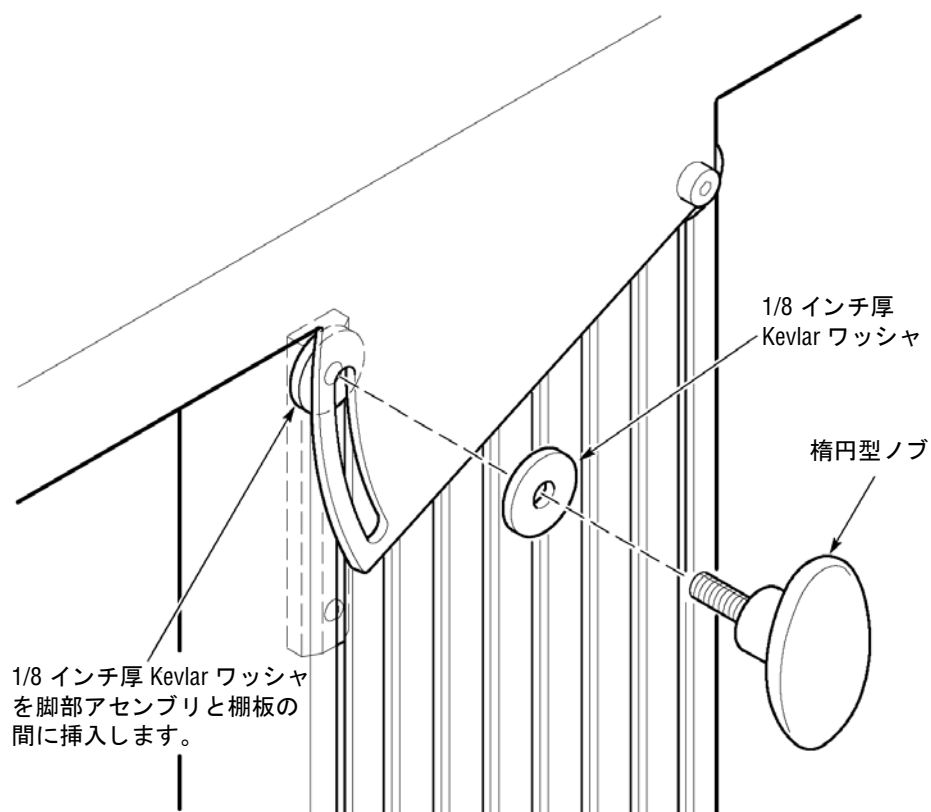


図 14: チルト式天板のノブの取り付け

7. 調整ノブを少し緩め、チルト式天板の位置を決めます。傾斜調整用の溝のトップ位置にノブの軸が位置するようにします。調整ノブを締めます。

8. チルト式天板の後ろ側のショルダ・ボルトをすでに締めている場合は、ここで少しボルトを緩め、次のステップで、チルト式天板が水平を保っていることを確認します。
9. 水準器を使用して、チルト式天板が水平を保っていることを確認します。水平を確認後、5/32 インチの六角レンチを使って、チルト式天板の後部のショルダ・ボルトを締めます。

脚部用キャップ

脚部アセンブリの上端にキャップを取り付けます。キャップの取り付けには、付属のツールは必要ありません。

図 15 に示すようにキャップを押し込みます。

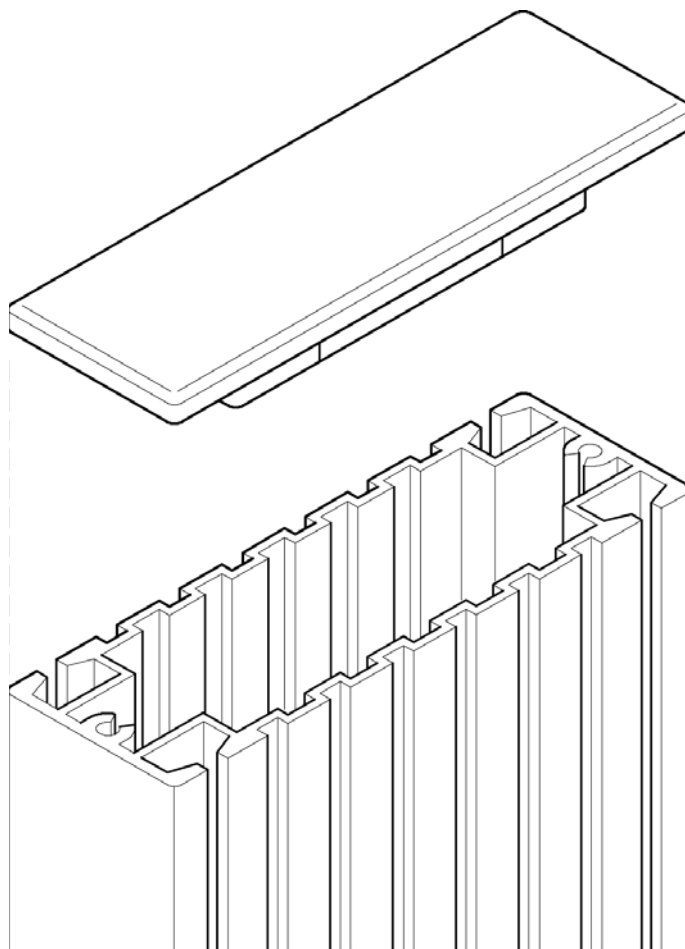


図 15: キャップの取り付け

ナイロン・ストラップ

組み立ての最後の手順は、2つのナイロン・ストラップを台車に取り付けることです。ここでは、付属の取り付け用のツールは必要としません。

台車の天板には、ナイロン・ストラップを取り付けるための細長い穴が設けられています。大きいサイズの天板ではストラップを2箇所、ハーフ・サイズの天板では、ストラップを1箇所に取り付けます。チルト式の天板では、常にストラップを使って機器を固定してください。

図 16 に示すようにナイロン・ストラップを取り付けます。

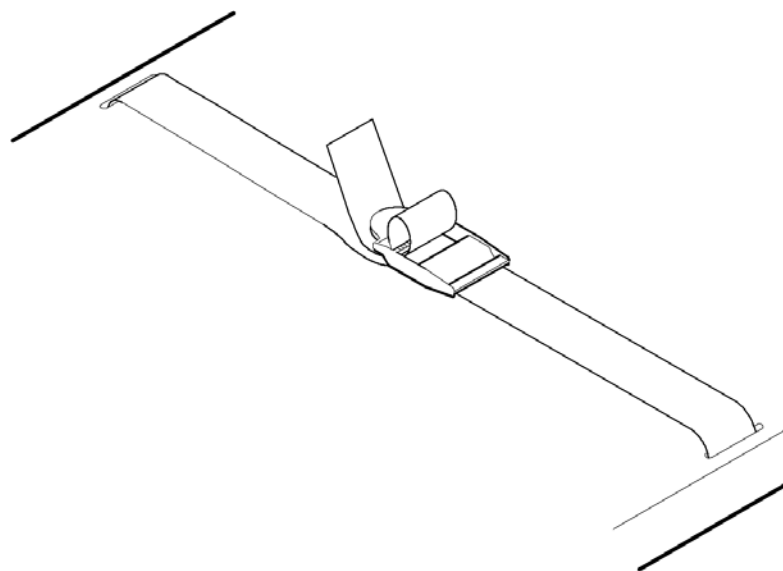


図 16: ナイロン・ストラップの取り付け

カスタマイズ

用途に合わせて、台車をさまざまにカスタマイズできます。

- 棚板の高さ位置を調節できます。最初に、すべての機器を台車から外します。棚板についている4つのネジを緩めます（チルト式天板の場合は、ショルダ・ボルト、楕円型ノブ、取付ネジを緩めます）。高さを調節し、水平を保ち、再度ネジを締めます。
- ナイロン・ストラップは、チルト式天板以外に、他の棚板でも使用できます。
- プレスオン・プローブ・ホルダを台車のどの位置にも取り付けられます。一度取り付けると、取り外しはできません。取り付ける場所が汚れていなくて、かつ乾燥していることを確認してください。ホルダ取り付け部の裏当てをはがし、取り付け位置にホルダを押し付けます。
- チルト式天板は楕円型ノブを緩めることで希望する位置に角度を変えられます。角度調整後ノブを再度締めます。
- チルト式天板にはリテイニング・バーがついています。機器の脚をこのバーの位置に合わせることで、傾斜面からすべり落ちるのを防ぎます。このリテイニング・バーは、台車に載せる機器に合わせて留める位置を変えられます。
- 台車をいったん分解して、再度組み立てることにより、天板および棚板の位置を再調整することもできます。



警告：棚板や引き出しの位置を変えると台車のバランスに影響することがあります。本マニュアルで説明されている位置と異なる位置に棚板を取り付ける場合は、安定性を十分確認してから使用してください。

交換用部品リスト

交換用部品のご注文は、当社または販売店までご連絡ください。

K420 型台車の修理用パーツとして以下のものを購入できます。

- ロック機能付キャスト 当社部品番号 401-0691-00
- キャスタ（ロック機能なし） 当社部品番号 401-0690-00
- ナイロン・ストラップ（バックル付） 当社部品番号 346-0261-00
- バー・ハンドル（カバーおよび取付ネジ付） 当社部品番号 367-0452-00
- 台車構成小部品パッケージ 当社部品番号 016-1259-00 構成部品の詳細は表 2 にリストされています。

表 2: 016-1259-00 構成部品

数 量	説 明
2	脚部用キャップ
2	1/2 インチ スプリット・ロックワッシャ
4	ナット
2	レール
8	1/4 インチ ロックワッシャ
8	1/4 20 キャップヘッド型ネジ、1/2 インチ長
6	1/8 インチ厚 Kevlar（プラスチック）ワッシャ
2	楕円型ノブ
2	1/4 20 取り付けネジ
2	3/4 インチ スチール・ワッシャ
2	1/4 20 ショルダ・ボルト、1/2 インチ長
2	プレススタッド・リテナ

TDS/TLA5000 シリーズを K420 型台車または LACART に取り付ける場合は、ブラケット・キット（当社部品番号 407-4996-00）が必要です。

TDS5XXX 型オプション 1K 型をご注文の場合は、ブラケット・キットは標準で含まれます。TLA5000 シリーズの場合は、ブラケット・キット（当社部品番号 407-4996-00）を別途ご注文ください。

仕 様

K420 型台車は表 3 の仕様を満足します。表 4 は、機械的仕様を示します。

表 3: K420 型仕様

項 目	仕 様
積載質量 天板および棚板	34 kg (75 lb)
積載質量 引き出し	6.8 kg (15 lb)
チルト（調整角度） 天板	0° ~ +26°

表 4: K420 型機械的仕様

項 目	標準値
台車寸法	
高さ	771 mm (30.7 in)
幅	635 mm (25.0 in)
奥行	620 mm (24.4 in)
天板	
幅	502 mm (19.8 in)
奥行	533 mm (21.0 in)
棚板	
幅	508 mm (20.0 in)
奥行	533 mm (21.0 in)
引き出し	
幅	496 mm (19.5 in)
奥行	559 mm (22.0 in)

